

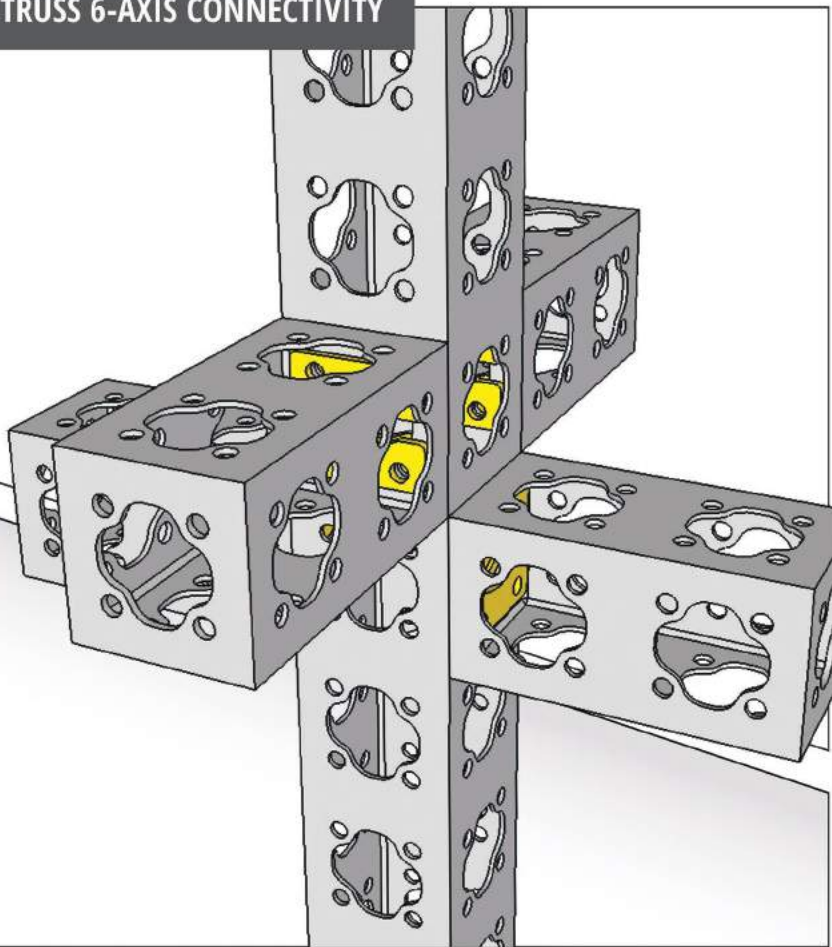
BASIC CONNECTIONS

6" Series ModTRUSS

The following instructions are the general connections to achieve the load ratings for the 6" ModTRUSS Series and the supporting ModTRUSS products.

FIGURE 1

6" TRUSS 6-AXIS CONNECTIVITY



BASIC CONNECTIONS

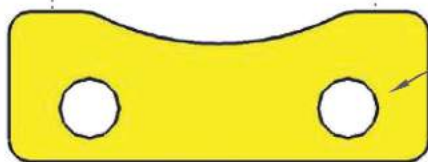
6" Series ModTruss

The following instructions are the general connections to achieve the load ratings for the 6" ModTruss Series and the supporting ModTruss products.

FIGURE 1.1

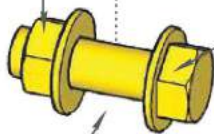
6" WASHER PLATES

6" truss connections require (4) 6" Washer Plates to be installed, as shown, using a minimum of (4) 2" Bolt Sets



*MT-PL-W-06
6" WASHER PLATE

GRADE 8 HEX NUT
5/8"-11 [ZINC PLATED]



5/8" SAE FLAT WASHER
[ZINC PLATED]

GRADE 8 HEX CAP SCREW
5/8"-11x2"
[ZINC PLATED, PARTIALLY THREADED]

2" BOLT SET

Visit ModTRUSS.com for load tables.

BASIC CONNECTIONS

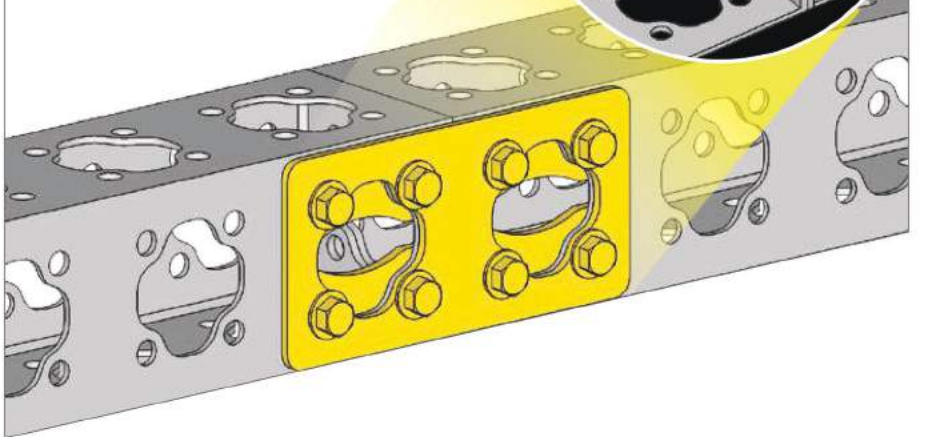
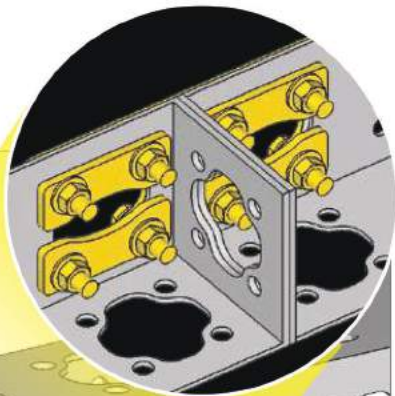
6" Series ModTruss

The following instructions are the general connections to achieve the load ratings for the 6" ModTruss Series and the supporting ModTruss products.

FIGURE 1.2

6" SPLICE PLATES

6" Splice Plates require (4) 6" Washer Plates to be installed on the inside of the truss, as shown, using a minimum of (8) 2" Bolt Sets



*MT-PL-S-06-12
6" SPLICE PLATE

Note: 6" truss load tables were calculated based on Splice Plates being installed to the bottom (load bearing side) of truss connections.

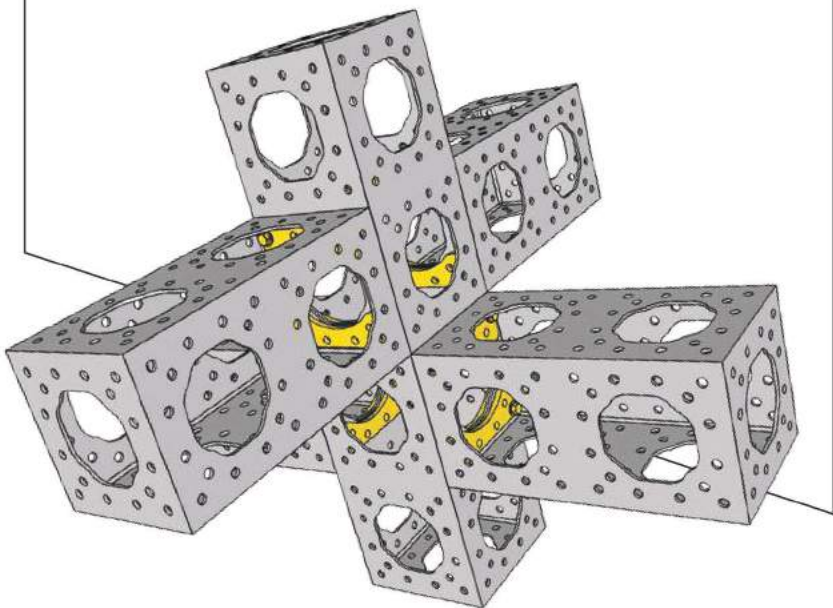
BASIC CONNECTIONS

12" Series ModTruss

The following instructions are the general connections to achieve the load ratings for the 12" ModTruss Series and the supporting ModTruss products.

FIGURE 2.0

12" TRUSS 6-AXIS CONNECTIVITY



BASIC CONNECTIONS

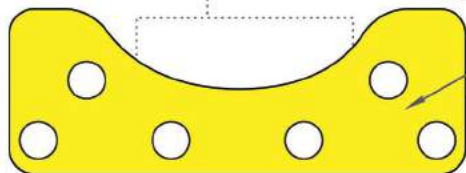
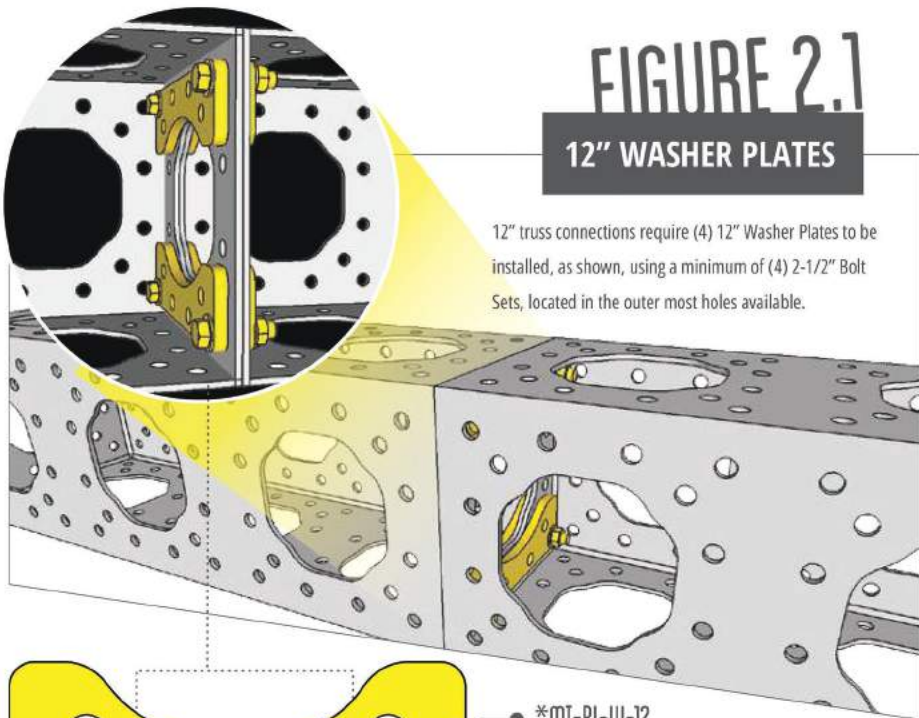
12" Series ModTRUSS

The following instructions are the general connections to achieve the load ratings for the 12" ModTRUSS Series and the supporting ModTRUSS products.

FIGURE 2.1

12" WASHER PLATES

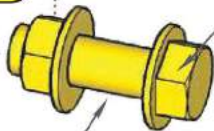
12" truss connections require (4) 12" Washer Plates to be installed, as shown, using a minimum of (4) 2-1/2" Bolt Sets, located in the outer most holes available.



*MT-PL-W-12
12" WASHER PLATE

GRADE 8 HEX NUT
5/8"-11 [ZINC PLATED]

GRADE 8 HEX CAP SCREW
5/8"-11x2-1/2",
[ZINC PLATED, PARTIALLY THREADED]



5/8" SAE FLAT WASHER
[ZINC PLATED]

2-1/2" BOLT SET

BASIC CONNECTIONS

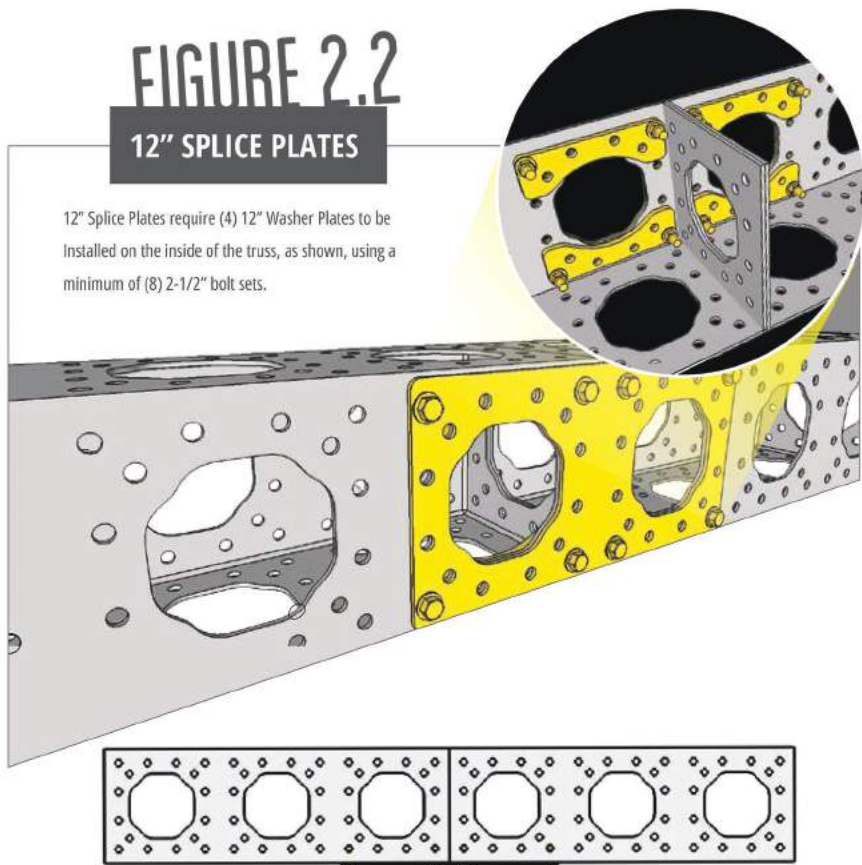
12" Series ModTruss

The following instructions are the general connections to achieve the load ratings for the 12" ModTruss Series and the supporting ModTruss products.

FIGURE 2.2

12" SPLICE PLATES

12" Splice Plates require (4) 12" Washer Plates to be installed on the inside of the truss, as shown, using a minimum of (8) 2-1/2" bolt sets.



*MT-PL-S-12-24
6" SPLICE PLATE

Note: 12" truss load tables were calculated based on Splice Plates being installed to the bottom (load bearing side) of truss connections.