

Part Number:

MT-JH-02-04-090

Issue Date: 08/29/2017

Series: Joist Hangers

2"x 4" ModTruss™ 90° Joist Hanger

Part Number: **MT-JH-02-04-090**



Joist Hanger Fits Nominal 2" x 4" Lumber (actual size 1.5" x 3.5" - 38mm x 89mm) as defined by the ALSC

Standard Material:	A36 Low Carbon Steel
Standard Finish:	10 - Zinc Clear
Available Finish(es):	10-12, 20-32
Size:	4.75" x 3.13" x 3.63" (120.07mm x 79.50mm x 92.20mm)
Weight:	1.10lbs (0.50kg)
Hole Size:	1 1/16" (17.46mm) 1/2" Bolt Hole (12.7mm) .20" Screw Hole (5.08mm)
Recommended Hardware:	5/8"-11 Thread Grade 8 Bolt, 2" Long 5/8" SAE Zinc-Plated Washer 5/8"-11 Thread, Grade 8 Hex Nut #10 Wood Screw, 1.25" Long 1/2"-13 Grade 5 Hex Bolt, 3" Long 1/2" SAE Zinc-Plated Washer 1/2"-13 Thread, Grade 5 Hex Nut (M18 x 2 Thread, 50mm Long, Class 10.9 Bolt M18, Class 10.9 Washer M18 x 2 Thread, Class 10.9 Nut)
Recommended Tools:	ModTruss™ Tool Kit 1
Associated Products:	6" ModTruss™ Series 12" ModTruss™ Series EX ModTruss™ Series
See more at:	ModTruss.com



Electrical Hazard



Flammability



In Stock



Made To Order



Customizable



Reusable



Compatible



Serialized & Traceable

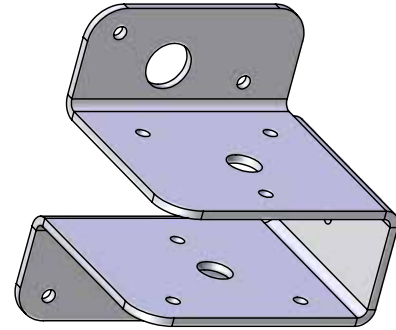
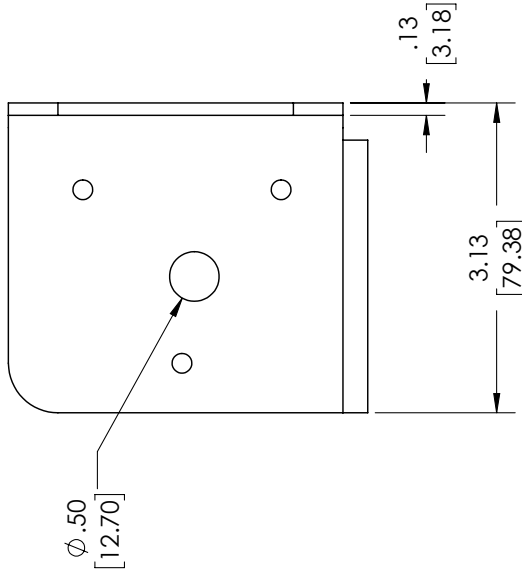
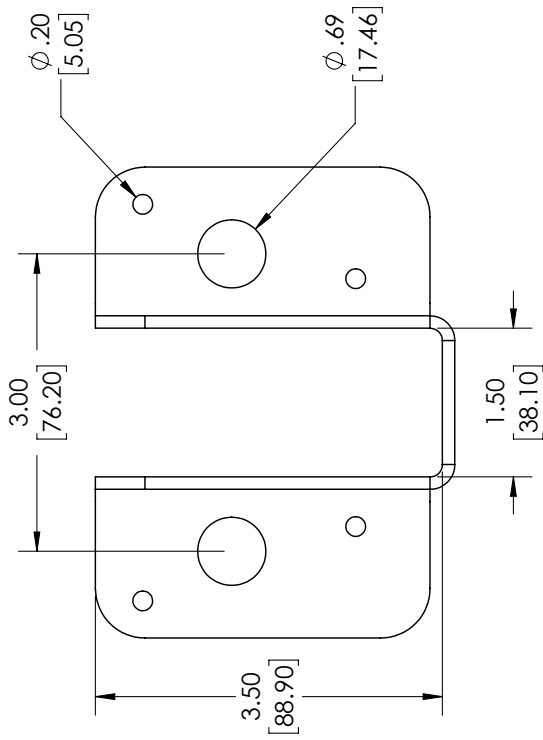
ModTruss^{INC}

Part Number:

MT-JH-S-02-04-090

Issue Date: 08/29/2017

Series: Joist Hangers



	PRECISION LEVEL: MED - ±0.3 [80] BRACKET [1] DIMENSIONS ARE IN MM
	RELEASED: 5/21/2015 REVISION: NR
DESCRIPTION:	JOIST HANGER, 2"x4", 90°
PART NUMBER:	MT-JH-S-02-04-090

Part Number:

MT-JH-02-06-090

Issue Date: 08/29/2017

Series: Joist Hangers

2" x 6" ModTruss™ 90° Joist Hanger

Part Number: **MT-JH-02-06-090**



Joist Hanger Fits Nominal 2" x 6" Lumber (actual size 1.5" x 5.5" - 38mm x 140mm) as defined by the ALSC

Standard Material:	A36 Low Carbon Steel
Standard Finish:	10 - Zinc Clear
Available Finish(es):	10-12, 20-32
Size:	4.75" x 3.13" x 5.63" (12.0.07mm x 79.50mm x 143.00mm)
Weight:	1.70lbs (0.77kg)
Hole Size:	11/16" (17.46mm) 1/2" Bolt Hole (12.7mm) .20" Screw Hole (5.08mm)
Recommended Hardware:	5/8"-11 Thread Grade 8 Bolt, 2" Long 5/8" SAE Zinc-Plated Washer 5/8"-11 Thread, Grade 8 Hex Nut #10 Wood Screw, 1.25" Long 1/2"-13 Grade 5 Hex Bolt, 3" Long 1/2" SAE Zinc-Plated Washer 1/2"-13 Thread, Grade 5 Hex Nut (M18 x 2 Thread, 50mm Long, Class 10.9 Bolt M18, Class 10.9 Washer M18 x 2 Thread, Class 10.9 Nut)
Recommended Tools:	ModTruss™ Tool Kit 1
Associated Products:	6" ModTruss™ Series 12" ModTruss™ Series EX ModTruss™ Series
See more at:	ModTruss.com



Electrical Hazard



Flammability



In Stock



Made To Order



Customizable



Reusable



Compatible



Serialized & Traceable

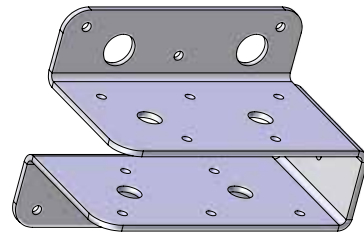
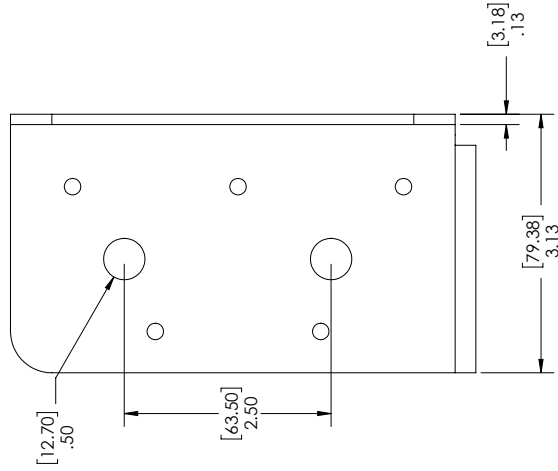
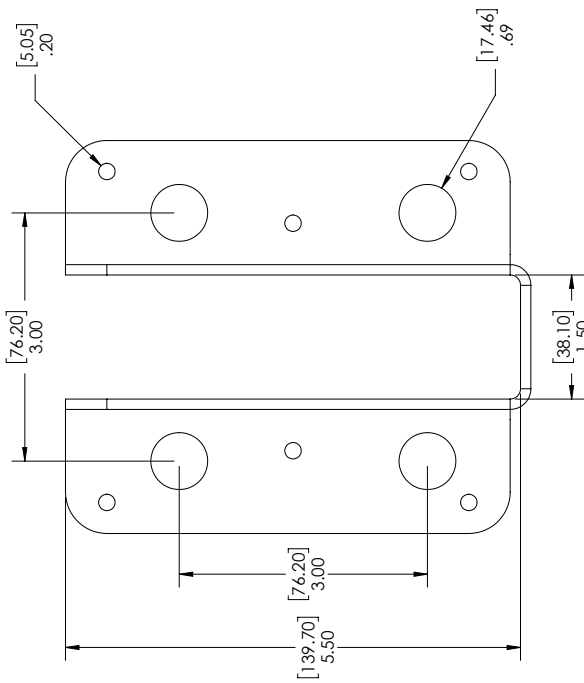
ModTruss^{INC}

Part Number:

MT-JH-S-02-06-090

Issue Date: 08/29/2017

Series: Joist Hangers



	PRECISION LEVEL - MED. +.04 (-1.59) BRACKET (1) DIMENSIONS ARE IN MM
DESCRIPTION:	7/20/2017 REVISION: NR
JOIST HANGER, 2" x 6", 90°	
PART NUMBER: MT-JH-S-02-06-090	

Part Number:

MT-JH-02-08-090

Issue Date: 08/29/2017

Series: Joist Hangers

2" x 8" ModTruss™ 90° Joist Hanger

Part Number: **MT-JH-02-08-090**



Joist Hanger Fits Nominal 2" x 8" Lumber (actual size 1.5" x 7.25" - 38mm x 184mm) as defined by the ALSC

Standard Material:	A36 Low Carbon Steel
Standard Finish:	10 - Zinc Clear
Available Finish(es):	10-12, 20-32
Size:	4.75" x 3.13" x 7.38" (120.07mm x 79.50mm x 187.45mm)
Weight:	2.30lbs (1.04kg)
Hole Size:	11/16" (17.46mm) 1/2" Bolt Hole (12.7mm) .20" Screw Hole (5.08mm)
Recommended Hardware:	5/8"-11 Thread Grade 8 Bolt, 2" Long 5/8" SAE Zinc-Plated Washer 5/8"-11 Thread, Grade 8 Hex Nut #10 Wood Screw, 1.25" Long 1/2"-13 Grade 5 Hex Bolt, 3" Long 1/2" SAE Zinc-Plated Washer 1/2"-13 Thread, Grade 5 Hex Nut (M18 x 2 Thread, 50mm Long, Class 10.9 Bolt M18, Class 10.9 Washer M18 x 2 Thread, Class 10.9 Nut)
Recommended Tools:	ModTruss™ Tool Kit 1
Associated Products:	12" ModTruss™ Series EX ModTruss™ Series
See more at:	ModTruss.com



Electrical Hazard



Flammability



In Stock



Made To Order



Customizable



Reusable



Compatible



Serialized & Traceable

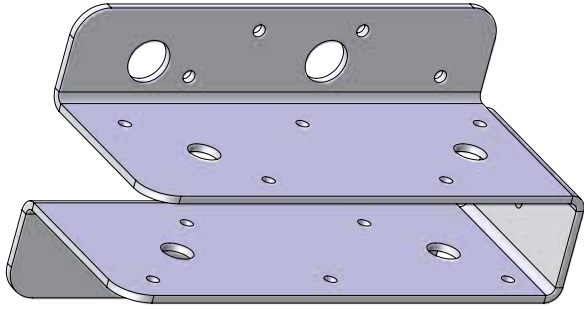
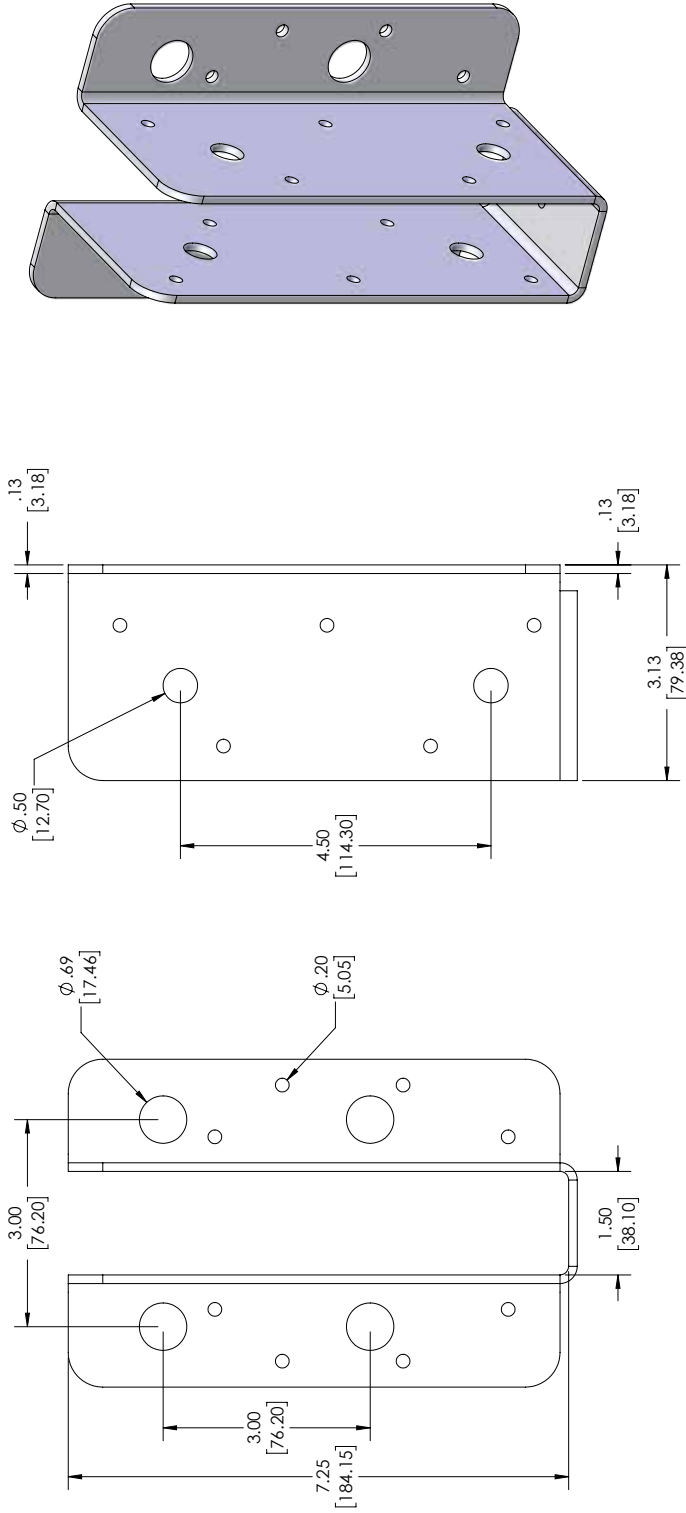
U.S. Patent No. 8,418,425 & other patents pending

Part Number:

MT-JH-S-02-08-090

Issue Date: 08/29/2017

Series: Joist Hangers



	PRECISION LEVEL: MED. - 40% (1.5%) BRACKET DIMENSIONS ARE IN MM	
	7/20/2017	REVISION: NR
DESCRIPTION:	JOIST HANGER, 2" x 8", 90°	
PART NUMBER:	MT-JH-S-02-08-090	

Part Number:

MT-JH-02-12-090

Issue Date: 08/29/2017

Series: Joist Hangers

2" x 12" ModTruss™ 90° Joist Hanger

Part Number: **MT-JH-02-12-090**



Joist Hanger Fits Nominal 2" x 12" Lumber (actual size 1.5" x 11.25" - 38mm x 286mm) as defined by the ALSC

Standard Material:	A36 Low Carbon Steel
Standard Finish:	10 - Zinc Clear
Available Finish(es):	10-12, 20-32
Size:	4.75" x 3.13" x 11.38" (120.07mm x 79.50mm x 289.05mm)
Weight:	3.40lbs (1.54kg)
Hole Size:	11/16" (17.46mm) 1/2" Bolt Hole (12.7mm) .20" Screw Hole (5.08mm)
Recommended Hardware:	5/8"-11 Thread Grade 8 Bolt, 2" Long 5/8" SAE Zinc-Plated Washer 5/8"-11 Thread, Grade 8 Hex Nut #10 Wood Screw, 3" Long 1/2"-13 Grade 5 Hex Bolt, 3" Long 1/2" SAE Zinc-Plated Washer 1/2"-13 Thread, Grade 5 Hex Nut (M18 x 2 Thread, 50mm Long, Class 10.9 Bolt M18, Class 10.9 Washer M18 x 2 Thread, Class 10.9 Nut)
Recommended Tools:	ModTruss™ Tool Kit 1
Associated Products:	12" ModTruss™ Series EX ModTruss™ Series
See more at:	ModTruss.com



Electrical Hazard



Flammability



In Stock



Made To Order



Customizable



Reusable



Compatible



Serialized & Traceable

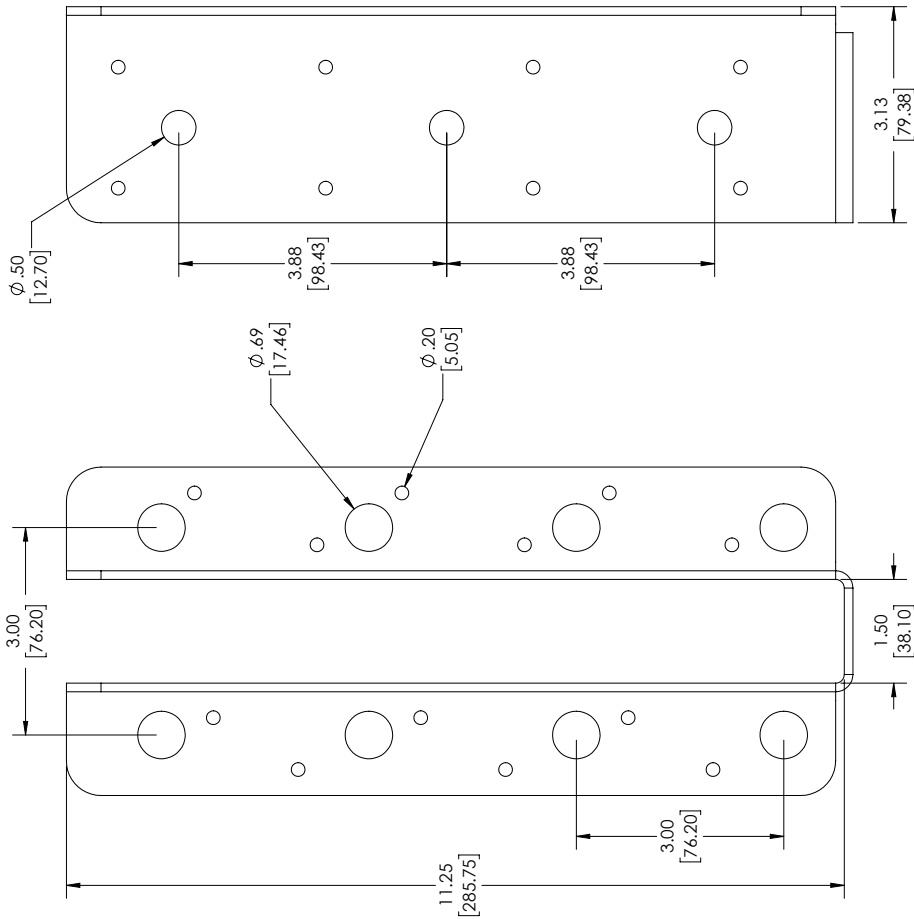
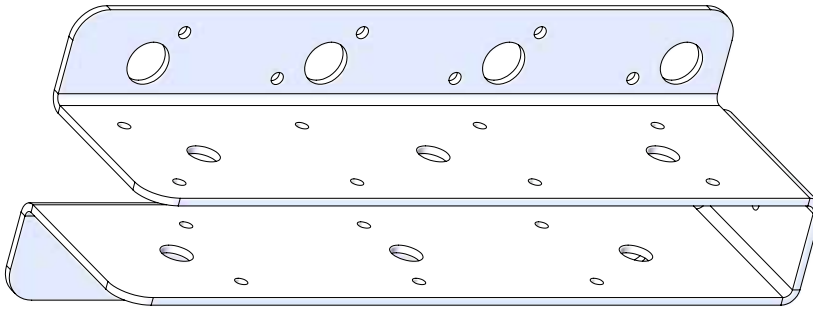
U.S. Patent No. 8,418,425 & other patents pending

Part Number:

MT-JH-S-02-12-090

Issue Date: 08/29/2017

Series: Joist Hangers



 ModTruss ™	PRECISION LEVEL ANGLES AND BRACKET DIMENSIONS ARE IN MM	REVISION NR
	7/20/2017	
DESCRIPTION: JOIST HANGER, 2" x 12", 90°		
PART NUMBER: MT-JH-S-02-12-090		