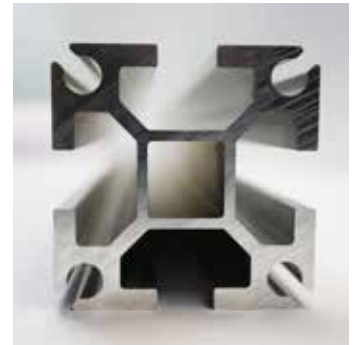
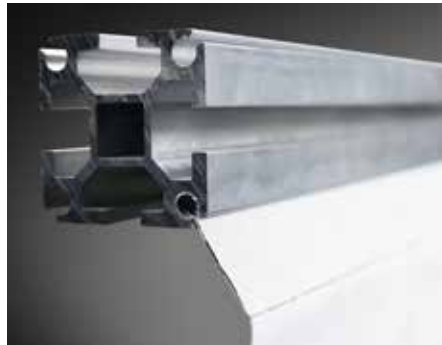
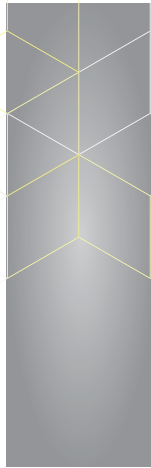


# EX | EXTRUSION SERIES

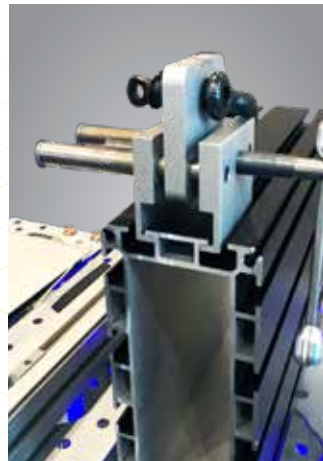
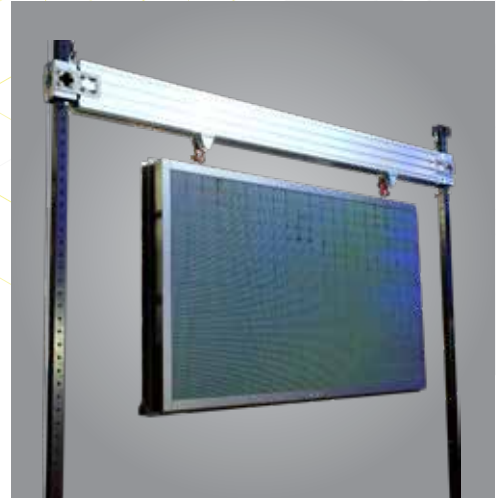
Issue Date: 11/07/2017



# EX

## KEY FEATURES

- T-Slot combined within a structural beam
- Keyway (aka Keder Track or Screw-boss)
- Compatible with all ModTruss products
- Continuous length up to 40'
- 12 available slots



Part Number:

**MT-EX-03-03-000-AL**

Issue Date: 10/31/2017

Series: Extrusion

## 3" x 3" ModTruss™ Extrusion

Part Number: *MT-EX-03-03-000-AL\**

\*Units in inches



<b>Standard Material:</b>	6061-T6 Aluminum
<b>Standard Finish:</b>	02 - No Finish
<b>Available Finish(es):</b>	50-51
<b>Size:</b>	3" x 3" x User defined length (76.20mm x 76.20mm x User defined length)   Max length: 40' 02 - No Finish, 35' 50-51 Finishes
<b>Weight:</b>	3.56lbs (1.61kg) *Weight per foot
<b>Hole Size:</b>	T-Slot: 0.656" x 1.50" (16.67mm x 38.10mm)   Keyway (aka Keder Track or Screw-boss): 10.5mm
<b>Recommended Hardware:</b>	
<b>Recommended Tools:</b>	ModTruss™ Tool Kit 1   12" Miter Saw
<b>Associated Products:</b>	
<b>See more at:</b>	<a href="http://ModTruss.com">ModTruss.com</a>

ModTruss<sup>INC</sup>



Electrical Hazard



Flammability



In Stock



Made To Order



Customizable



Reusable



Compatible



Serialized & Traceable

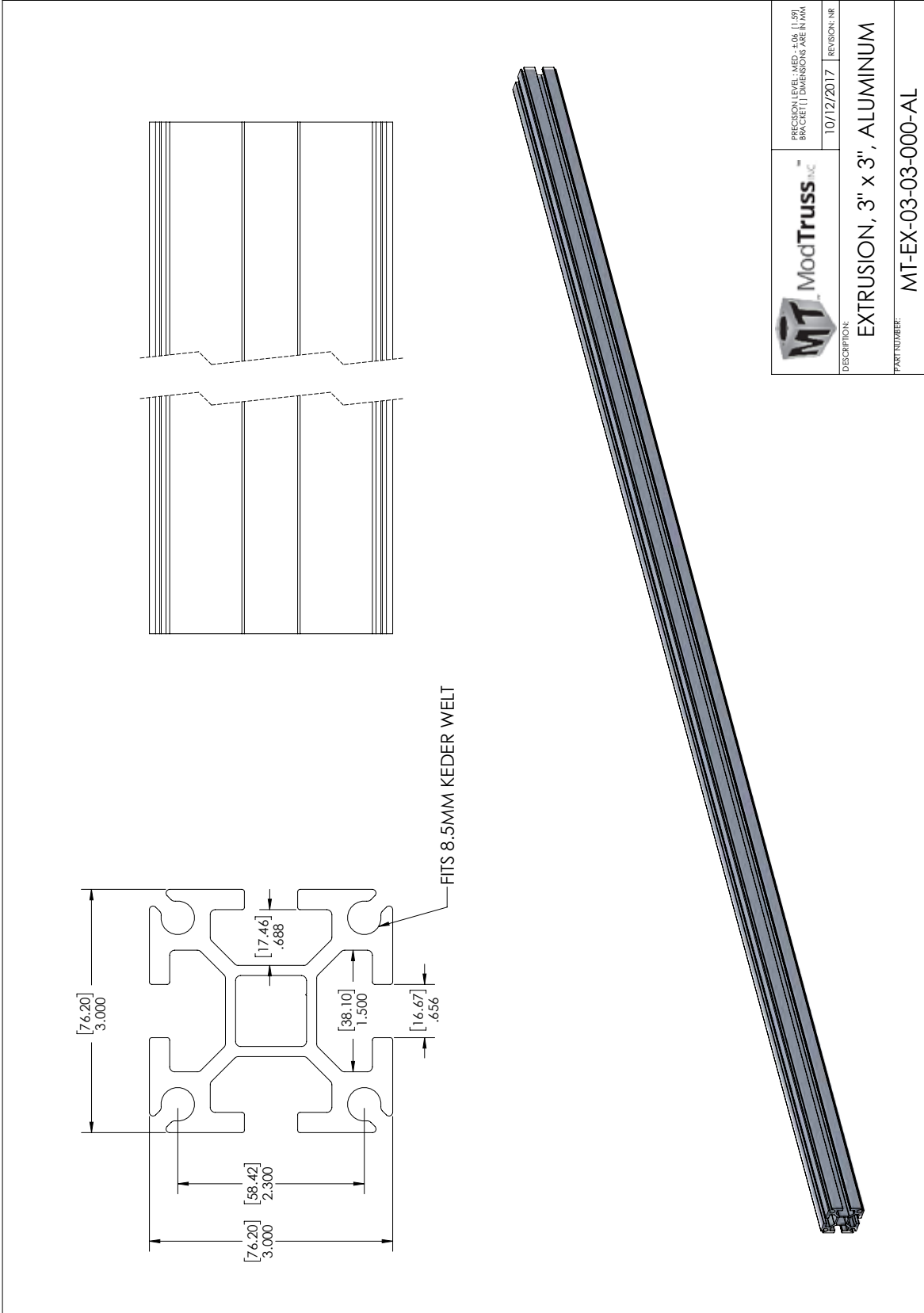
U.S. Patent No. 8,418,425 & other patents pending

Part Number:

**MT-EX-03-03-000-AL**

Issue Date: 10/31/2017

Series: Extrusion



Part Number:

**MT-EX-06-12-000-AL**

Issue Date: 10/31/2017

Series: Extrusion

## 6" x 12" ModTruss™ Extrusion

Part Number: *MT-EX-06-12-000-AL\**  
\*Units in inches



<b>Standard Material:</b>	6063-T5 Aluminum
<b>Standard Finish:</b>	02 - No Finish
<b>Available Finish(es):</b>	50-51
<b>Size:</b>	6" x 12" x User defined length (152.40mm x 304.80mm x User defined length)   Max length: 40' 02 - No Finish, 35' 50-51 Finishes
<b>Weight:</b>	14.58lbs (6.61kg) *Weight per foot
<b>Hole Size:</b>	T-Slot: 0.656" x 1.312" (16.67mm x 33.34mm)   Keyway (aka Keder Track or Screw-boss): 10.5mm
<b>Recommended Hardware:</b>	
<b>Recommended Tools:</b>	ModTruss™ Tool Kit 1
<b>Associated Products:</b>	
<b>See more at:</b>	<a href="http://ModTruss.com">ModTruss.com</a>

ModTruss<sup>INC</sup>



Electrical Hazard



Flammability



In Stock



Made To Order



Customizable



Reusable



Compatible



Serialized & Traceable

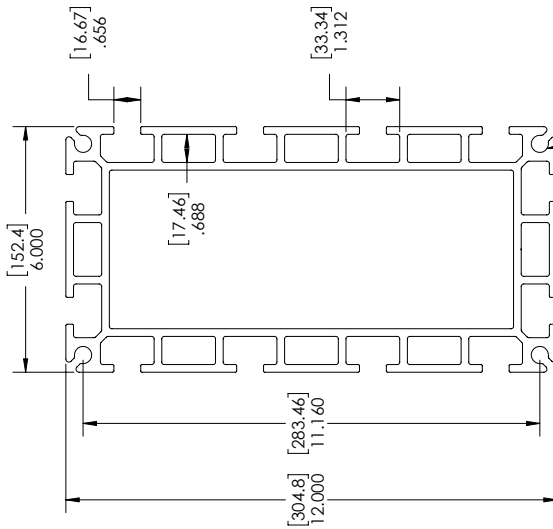
U.S. Patent No. 8,418,425 & other patents pending

Part Number:

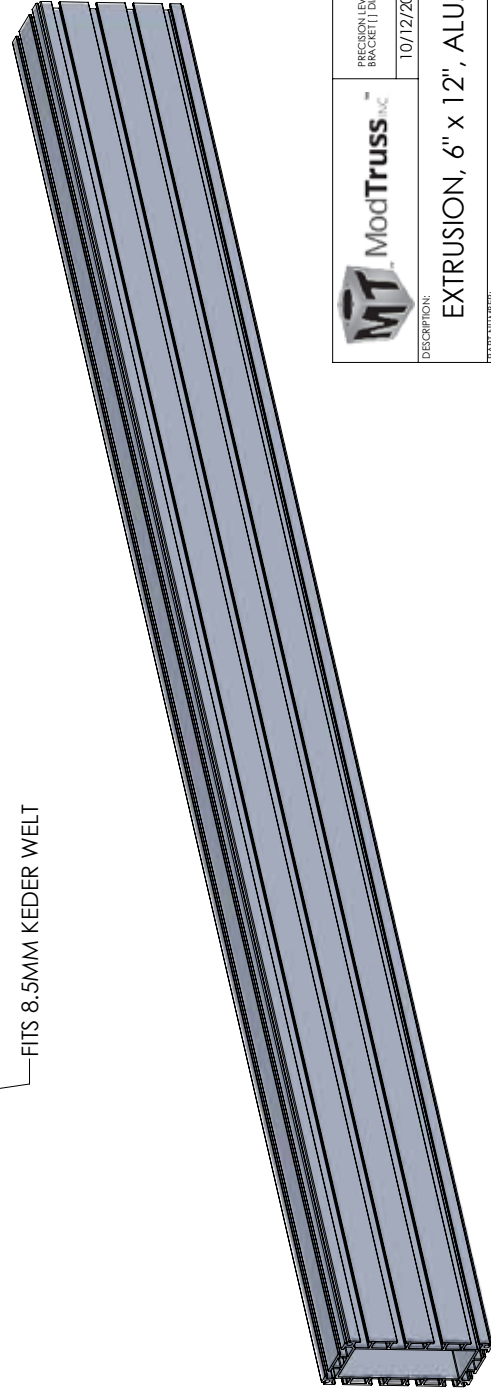
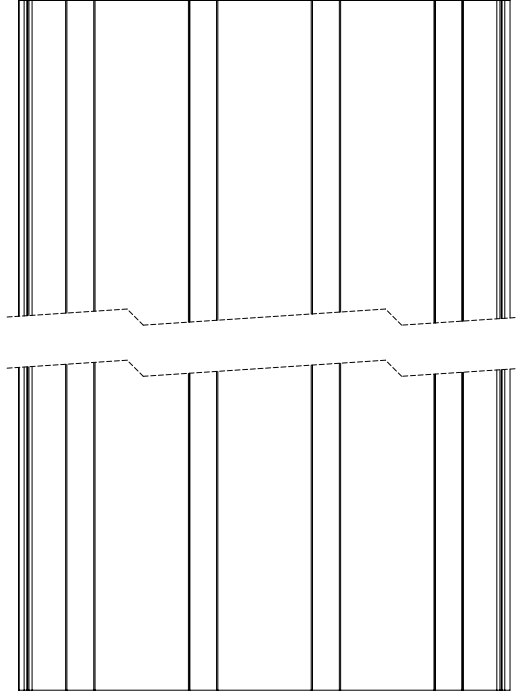
**MT-EX-06-12-000-AL**

Issue Date: 10/31/2017

Series: Extrusion



FITS 8.5MM KEDER WELT



	PRECISION LEVEL: UNLESS OTHERWISE SPECIFIED, ALL DIMENSIONS ARE IN MM	
	10/12/2017	REVISION: NR
DESCRIPTION:	EXTRUSION, 6" x 12", ALUMINUM	
PART NUMBER:	MT-EX-06-12-000-AL	