

Part Number:

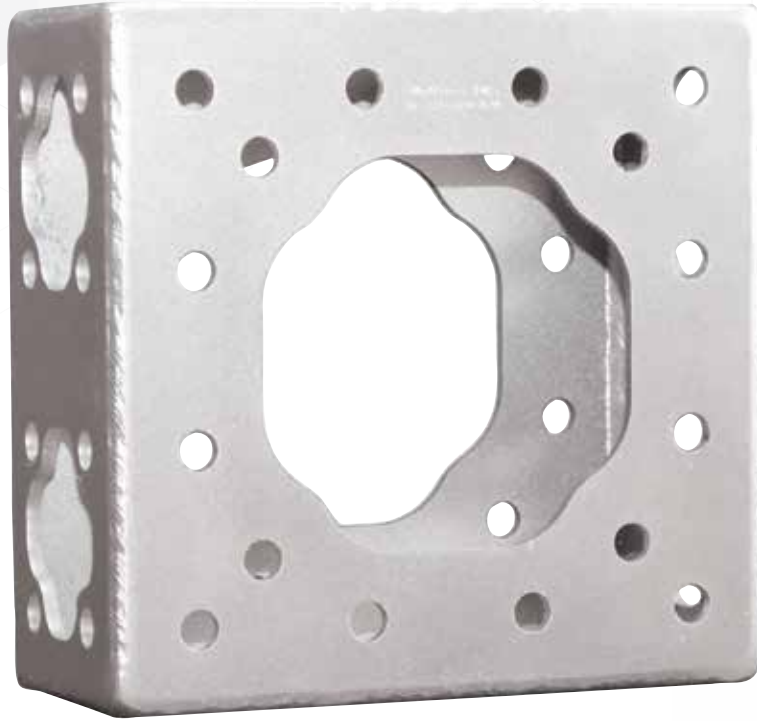
MT-TR-12-12-006-ST

Issue Date: 06/21/2017

Series: Truss 12"

12" x 12" x 6" Steel ModTruss™

Part Number: *MT-TR-12-12-006-ST*



Standard Material:	A36 Low Carbon Steel
Standard Finish:	25 - Silver
Available Finish(es):	20-32
Size:	12" x 12" x 6" (304.8mm x 304.8mm x 152.40mm)
Weight of Truss:	25.00lbs (11.34kg)
Hole Size:	11/16" (17.46mm)
Recommended Hardware:	5/8"-11 Thread Grade 8 Bolt, 2-1/2" Long 5/8" SAE Zinc-Plated Washer 5/8"-11 Thread, Grade 8 Hex Nut (M18 x 2 Thread, 64mm Long, Class 10.9 Bolt M18, Class 10.9 Washer M18 x 2 Thread, Class 10.9 Nut)
Recommended Tools:	ModTruss™ Tool Kit 1
Associated Products:	MT-PL-W-12, MT-PL-S-12-24
See more at:	ModTruss.com

ModTruss^{INC}



Electrical Hazard



Flammability



In Stock



Made To Order



Customizable



Reusable



Compatible



Serialized & Traceable

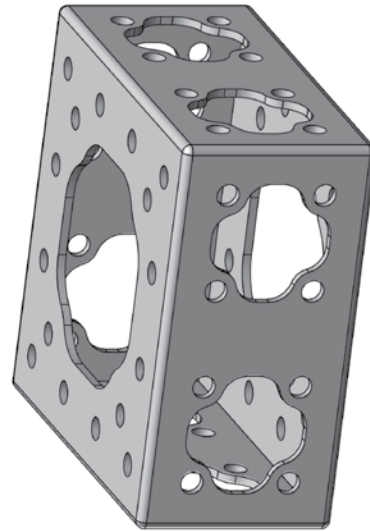
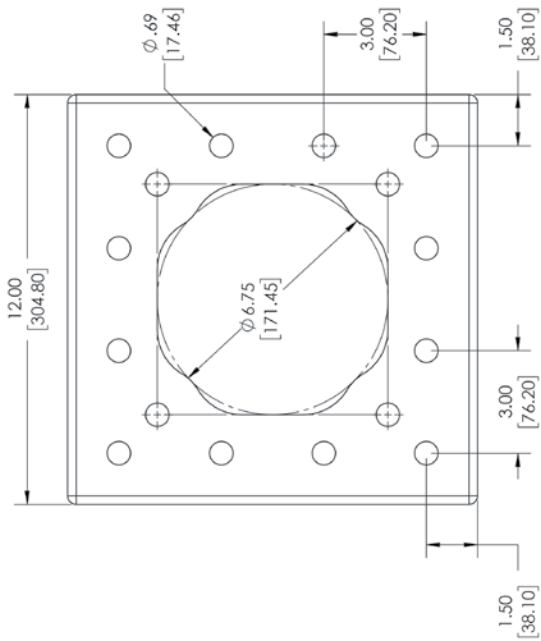
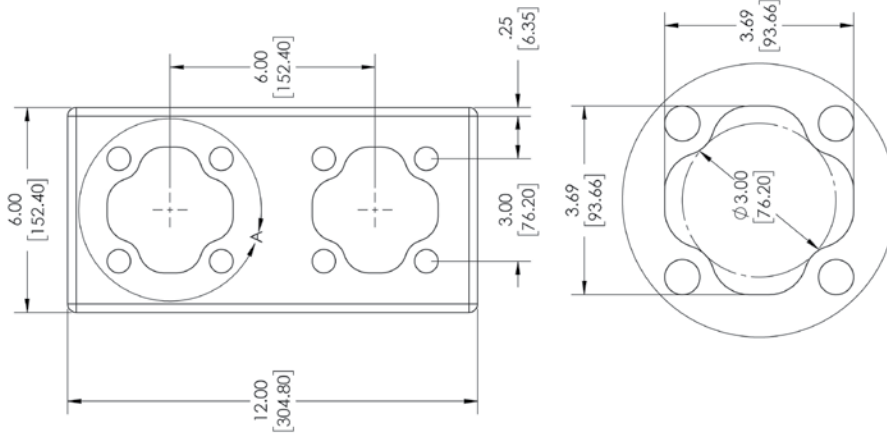
U.S. Patent No. 8,418,425 & other patents pending

Part Number:

MT-TR-12-12-006-ST

Issue Date: 06/21/2017

Series: Truss 12"



PRECISION LEVEL - MED. A-FIN. 1.50
BRACKET | DIMENSIONS ARE IN MM

RELEASED: 5/12/2015 REVISION: NR

DESCRIPTION:

TRUSS, 12" x 12" x 6"

PART NUMBER:

MT-TR-12-12-006-ST