

Part Number:

MT-TR-12-12-108-AL

Issue Date: 06/21/2017

Series: Truss 12"

12" x 12" x 108" Aluminum ModTruss™

Part Number: **MT-TR-12-12-108-AL**



Standard Material:	5052-H32 Aluminum
Standard Finish:	01 - Brush
Available Finish(es):	01, 20-32
Size:	12" x 12" x 108" (304.8mm x 304.8mm x 2743.2mm)
Weight of Truss:	87.00lbs (39.46kg)
Hole Size:	11/16" (17.46mm)
Recommended Hardware:	5/8"-11 Thread Grade 8 Bolt, 2-1/2" Long 5/8" SAE Zinc-Plated Washer 5/8"-11 Thread, Grade 8 Hex Nut (M18 x 2 Thread, 64mm Long, Class 10.9 Bolt M18, Class 10.9 Washer M18 x 2 Thread, Class 10.9 Nut)
Recommended Tools:	ModTruss™ Tool Kit 1
Associated Products:	MT-PL-W-12, MT-PL-S-12-24
See more at:	ModTruss.com

MT ModTruss^{INC}



Electrical Hazard



Flammability



In Stock



Made To Order



Customizable



Reusable



Compatible



Serialized & Traceable

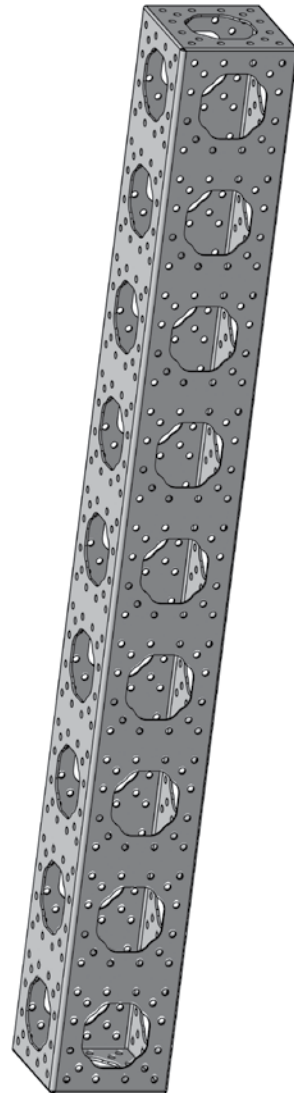
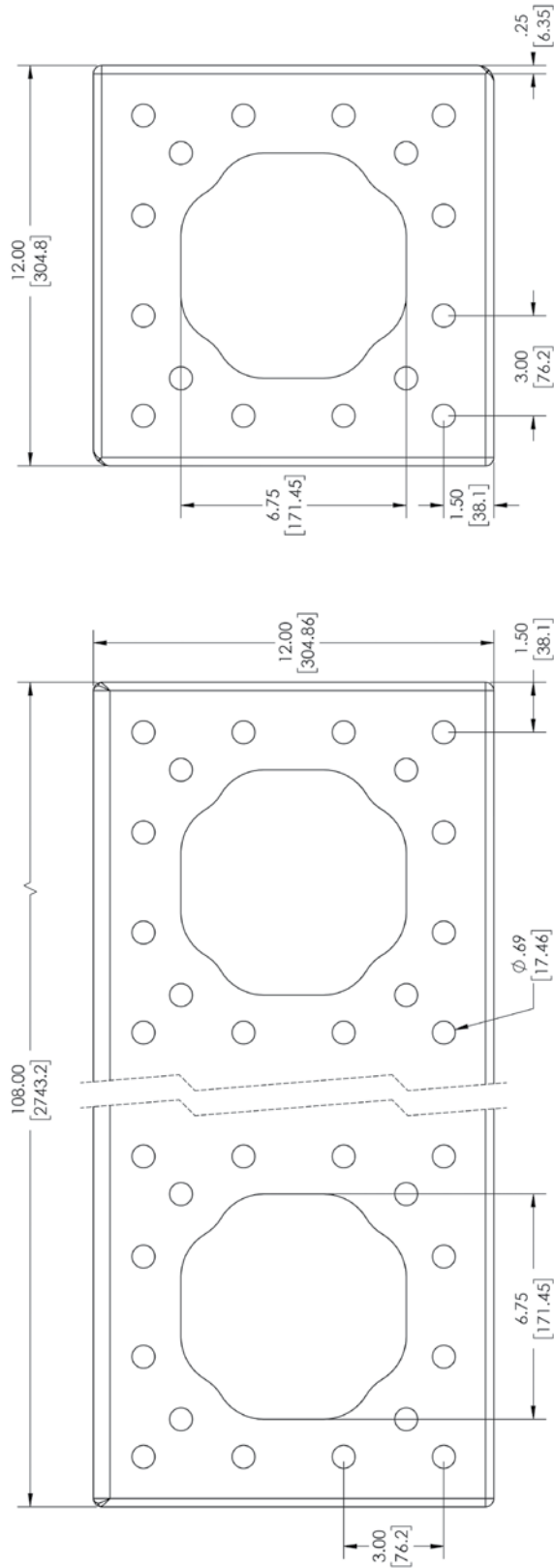
U.S. Patent No. 8,418,425 & other patents pending

Part Number:

MT-TR-12-12-108-AL

Issue Date: 06/21/2017

Series: Truss 12"



REVISION LEVEL: MED - #26 (1.25)
BRACKET (1) DIMENSIONS ARE IN INCH

RELEASED: 5/12/2015 REVISION: NR

DESCRIPTION:

TRUSS, 12" x 12" x 108"

PART NUMBER:

MT-TR-12-12-108-AL