

35,000LBS Capacity Leveling Jack Assemblies

Part Number | MT-MR-JA-LV-XX-XX-35K-XX



MT-MR-JA-LV-06-06-35K-AS



MT-MR-JA-LV-12-12-35K-AS

Standard Material	A36 Low Carbon Steel
Standard Finish	10 - Zinc Clear
Available Finish(es)	10-12
Hole Size	1 1/4"-5 Thread Weld Nut 11/16 (17.46mm)
Recommended Hardware	5/8"-11 Thread Grade 8 Bolt, 2" Long 5/8" SAE Zinc-Plated Washer 5/8"-11 Thread, Grade 8 Hex Nut (M16 x 2 Thread, 50mm Long, Class 10.9 Bolt M16, Class 10.9 Washer M16 x 2 Thread, Class 10.9 Nut)
Recommended Tools	Tool Kit 1 2" combination wrench
For More Info	www.ModTruss.com

Part # <i>Description</i>	Size	Weight
MT-MR-JA-LV-06-06-35K-AS <i>6" Leveling Jack Assembly</i>	5.5" x 5.5" x 6.75" (139.70mm x 139.70mm x 171.45mm)	15.10lbs (33.29kg)
MT-MR-JA-LV-12-12-35K-AS <i>12" Leveling Jack Assembly</i>	11.5" x 11.5" x 6.75" (292.10mm x 292.10mm x 171.45mm)	28.65lbs (12.99kg)
MT-MR-JA-LV-06-06-35K-PL <i>6" Leveling Plate</i>	5.5" x 5.5" x 1.72" (139.70mm x 139.70mm x 43.66mm)	4.50lbs (2.04kg)
MT-MR-JA-LV-12-12-35K-PL <i>12" Leveling Plate</i>	11.5" x 11.5" x 1.72" (292.10mm x 292.10mm x 43.66mm)	18.05lbs (8.18kg)
MT-MR-JA-LV-XX-XX-35K-FT <i>Leveling Foot</i>	6.75" x 6" (171.45mm x 152.40mm)	10.60lbs (4.81kg)



Electrical Hazard



Flammability



In Stock



Made To Order



Customizable



Reusable



Compatible

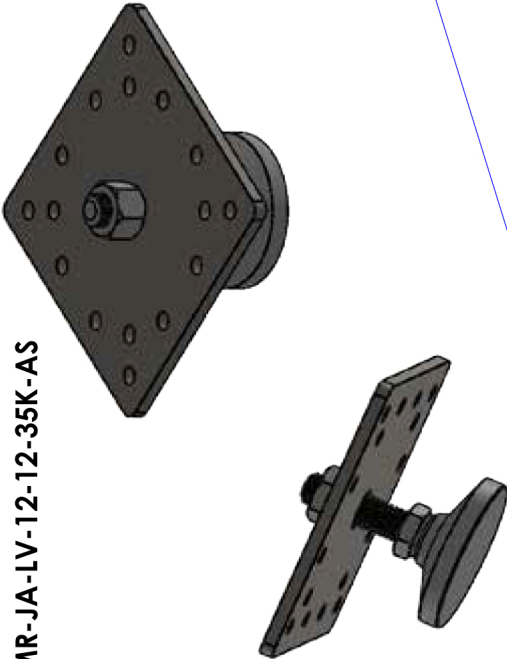
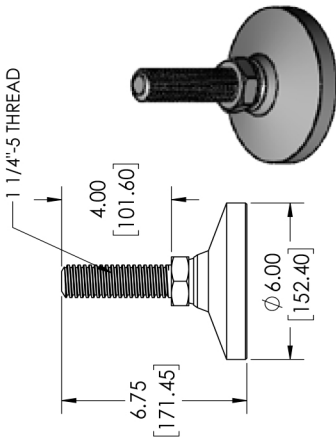
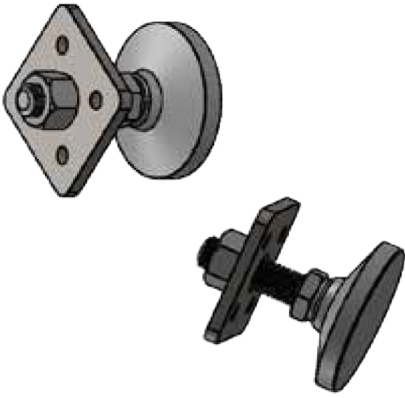
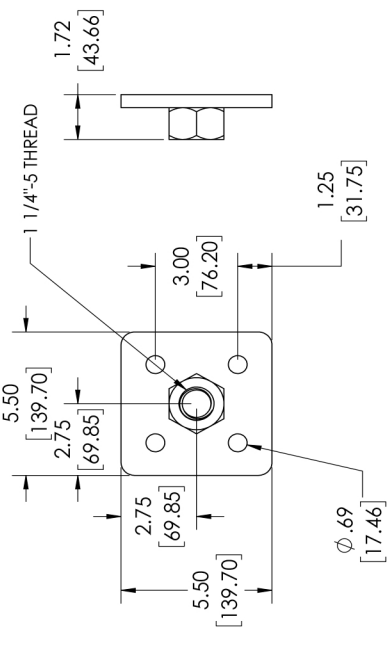
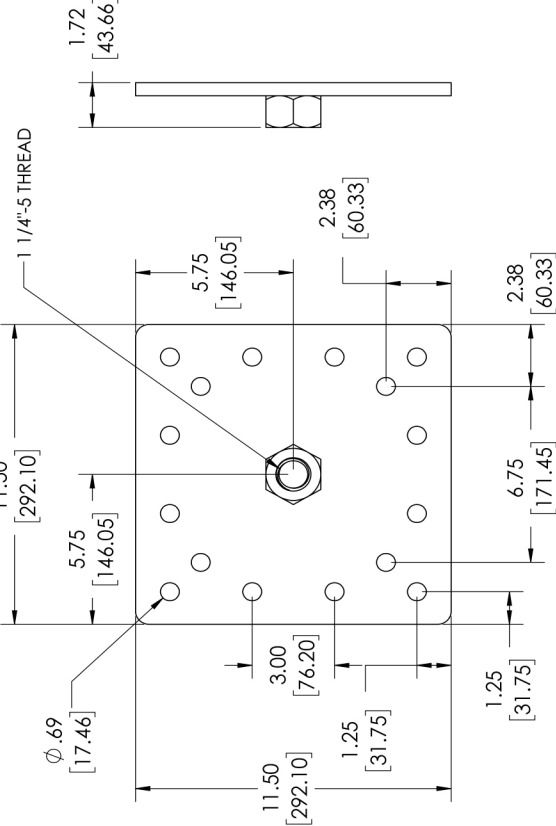


Serialized & Traceable

U.S. Patent No. 8,418,425 & other patents pending

Series | **MR** Motion & Rigging

Product Number | MT-MR-JA-LV-XX-XX-35K-XX

<p>MT-MR-JA-LV-12-12-35K-AS</p> 	<p>MT-MR-JA-LV-XX-XX-35K-FT</p> 	<p>MT-MR-JA-LV-06-06-35K-AS</p> 	<p>MT-MR-JA-LV-06-06-35K-PL</p> 
<p>MT-MR-JA-LV-12-12-35K-PL</p> 	<p>PRECISION LEVEL - MED. +0.06 (-0.09) BRACKET DIMENSIONS ARE IN MM</p> <p>10/28/2019 REVISION: V1</p> <p>MT ModTruss™</p> <p>DESCRIPTION: 35,000LBS CAPACITY LEVELING JACKS</p> <p>PART NUMBER: MT-MR-JA-LV-XX-XX-35K-XX</p>		