

6" x 12" Head Block

Part Number | MT-MR-HB-06-12



Standard Material	5052-H32 Aluminum
Standard Finish	03 - Tumbled & De-burred
Available Finish(es)	10-12, 20-33
Size	9.75" x 12" x 2.79" (247.65mm x 304.80mm x 70.74mm)
Weight	7.9lbs (3.58kg)
Hole Size	11/16" (17.46mm)
Recommended Hardware	1/2"-13 x 1" Taper Head Socket Cap Screw
Recommended Tools	Tool Kit 1 6 Hex Key Wrench Cluster - MT-TK-HX-00-0-SAE
For More Info	www.ModTruss.com

- 
Electrical Hazard
- 
Flammability
- 
In Stock
- 
Made To Order
- 
Customizable
- 
Reusable
- 
Compatible
- 
Serialized & Traceable

U.S. Patent No. 8,418,425 & other patents pending

TR

EX

PL

JH

PA

HG

MR

AC

HW

TK

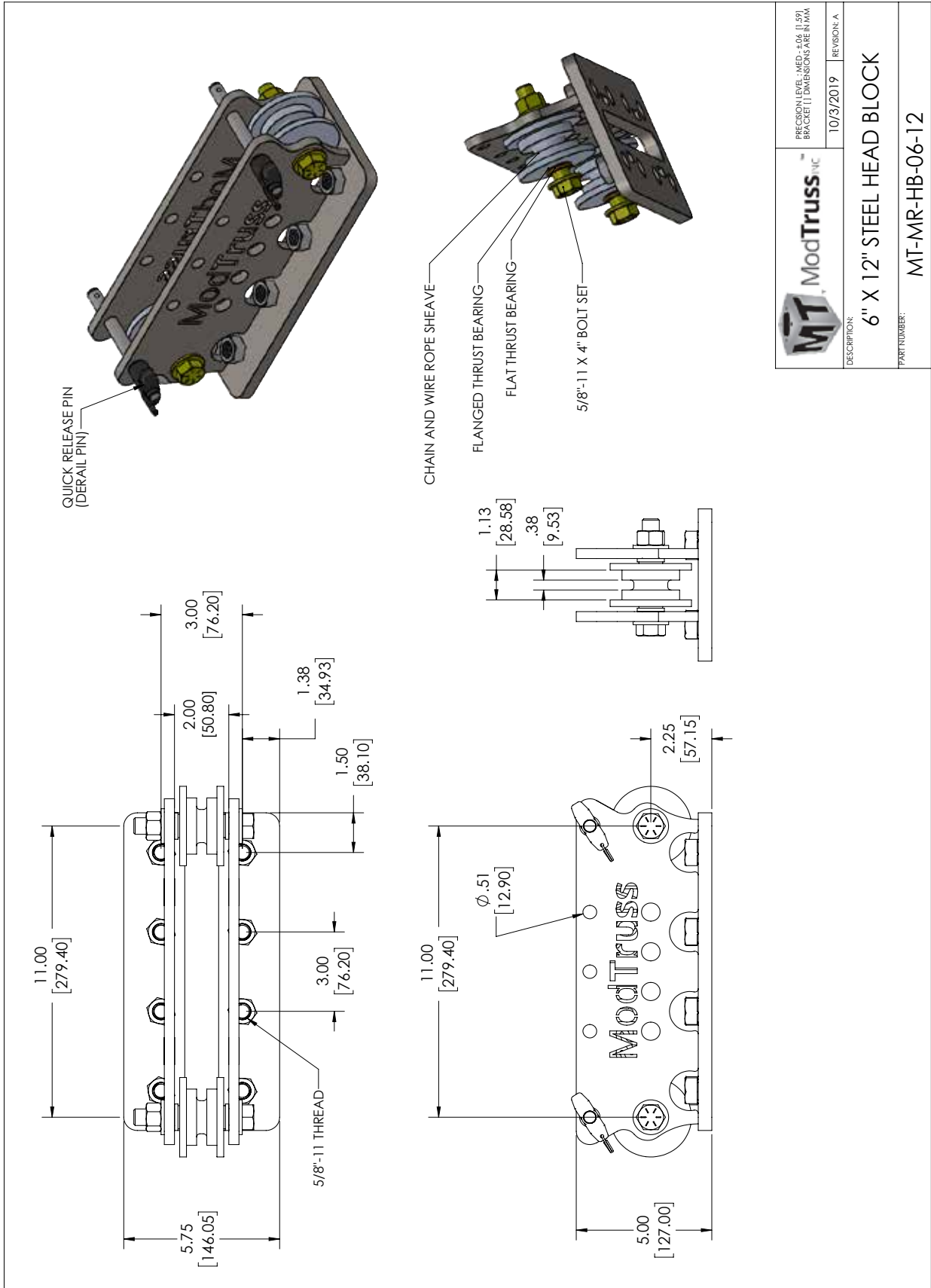
MH

FH

GL

Series | MR Motion & Rigging

Product Number | MT-MR-HB-06-12



PRECISION LEVEL: MED - 4.06 [1.59]
BRACKET DIMENSIONS ARE IN MM

10/3/2019 REVISION: A

DESCRIPTION: 6" X 12" STEEL HEAD BLOCK

PART NUMBER: MT-MR-HB-06-12