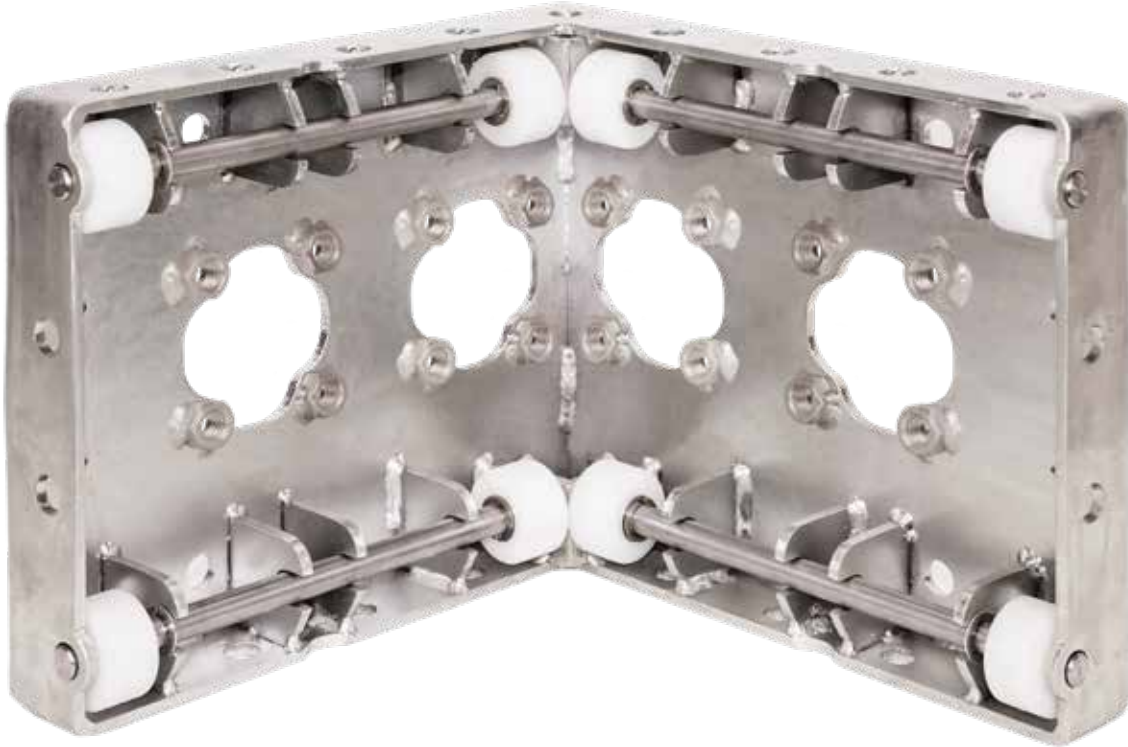


# Corner Sleeve Block 15"

Part Number | MT-MR-SL-15-15-12

15" x 15" x 12" Corner Sleeve Block - Fits 12" x 12" Truss  
Metric version made to order



Sleeve Blocks come standard with UHMW wheels and are able to be upgraded to high capacity Cam Followers (with an additional cost).

<b>Standard Material</b>	A36 Low Carbon Steel and Nylon
<b>Standard Finish</b>	10 - Zinc Clear
<b>Available Finish(es)</b>	10-12, 20-33
<b>Size</b>	15" x 15" x 12" (381.0mm x 381.0mm x 304.80mm)
<b>Weight</b>	45.79lbs (20.76kg)* <i>*Non-certified</i>
<b>Hole Size</b>	5/8"-11 Steel Weld Nut
<b>Recommended Hardware</b>	5/8"-11 Thread Grade 8 Bolt, 2" Long   5/8" SAE Zinc-Plated Washer   5/8"-11 Thread, Grade 8 Hex Nut
<b>Recommended Tools</b>	Tool Kit 1
<b>For More Info</b>	<a href="http://www.ModTruss.com">www.ModTruss.com</a>



Electrical Hazard



Flammability



In Stock



Made To Order



Customizable



Reusable



Compatible



Serialized & Traceable

U.S. Patent No. 8,418,425 & other patents pending

TR

EX

PL

JH

PA

HG

MR

AC

HW

TK

MH

FH

GL

TR

# Series | MR Motion & Rigging

Product Number | MT-MR-SL-15-15-12-12

EX

PL

JH

PA

HG

MR

AC

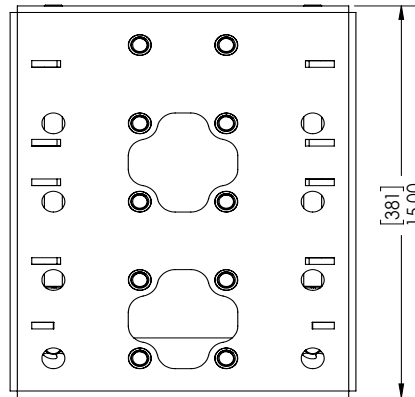
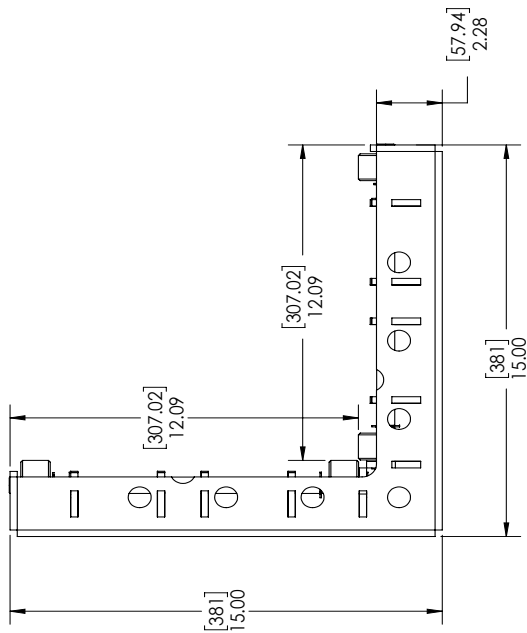
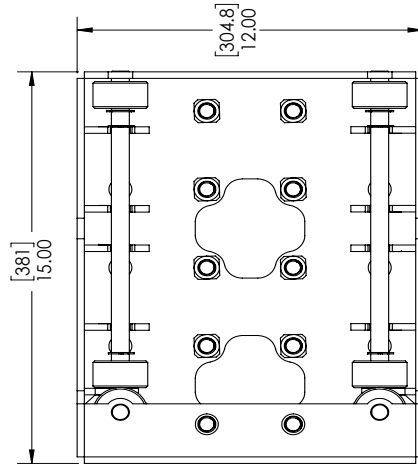
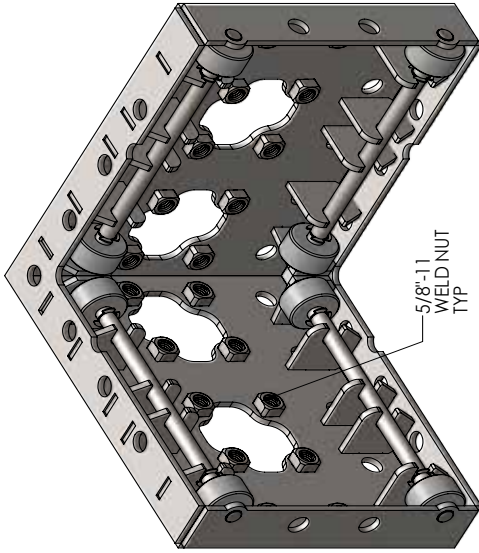
HW

TK

MH

FH

GL



	REVISION LEVEL: A6 (1.59) BRACKET DIMENSIONS ARE IN INCH	REVISION: NR 9/18/2018
	DESCRIPTION: <b>CORNER SLEEVE BLOCK, 15" x 15"          x 12"</b>	
PART NUMBER: <b>MT-MR-SL-15-15-12-12</b>		