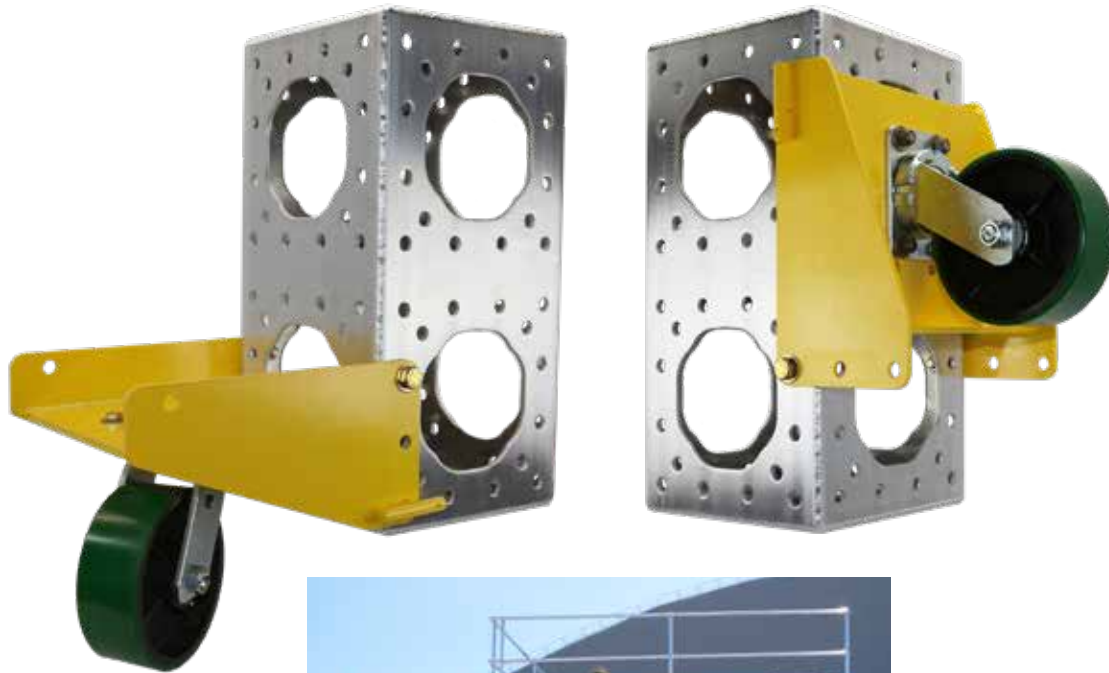


Flip Down Caster

Part Number | MT-MR-CM-1202-0800-AS



Includes Hitch Pins

Standard Material	A36 Low Carbon Steel
Standard Finish	28 - Gloss Yellow
Available Finish(es)	10-12, 20-33
Size	12.75" x 14.75" x 7.50" (323.85mm x 374.65mm x 190.50mm)
Weight	18.30lbs (8.300kg)* <i>*Weight for Caster plate - doesn't include caster</i>
Hole Size	11/16" (17.46mm)
Recommended Hardware	5/8"-11 Thread Grade 8 Bolt, 2" Long 5/8" SAE Zinc-Plated Washer 5/8"-11 Thread, Grade 8 Hex Nut (M16 x 2 Thread, 50mm Long, Class 10.9 Bolt M16, Class 10.9 Washer M16 x 2 Thread, Class 10.9 Nut)
Recommended Tools	Tool Kit 1
For More Info	www.ModTruss.com



Electrical Hazard



Flammability



In Stock



Made to Order



Customizable



Reusable



Compatible



Serialized & Traceable

U.S. Patent No. 8,418,425 & other patents pending

TR

EX

PL

JH

PA

HG

MR

AC

HW

TK

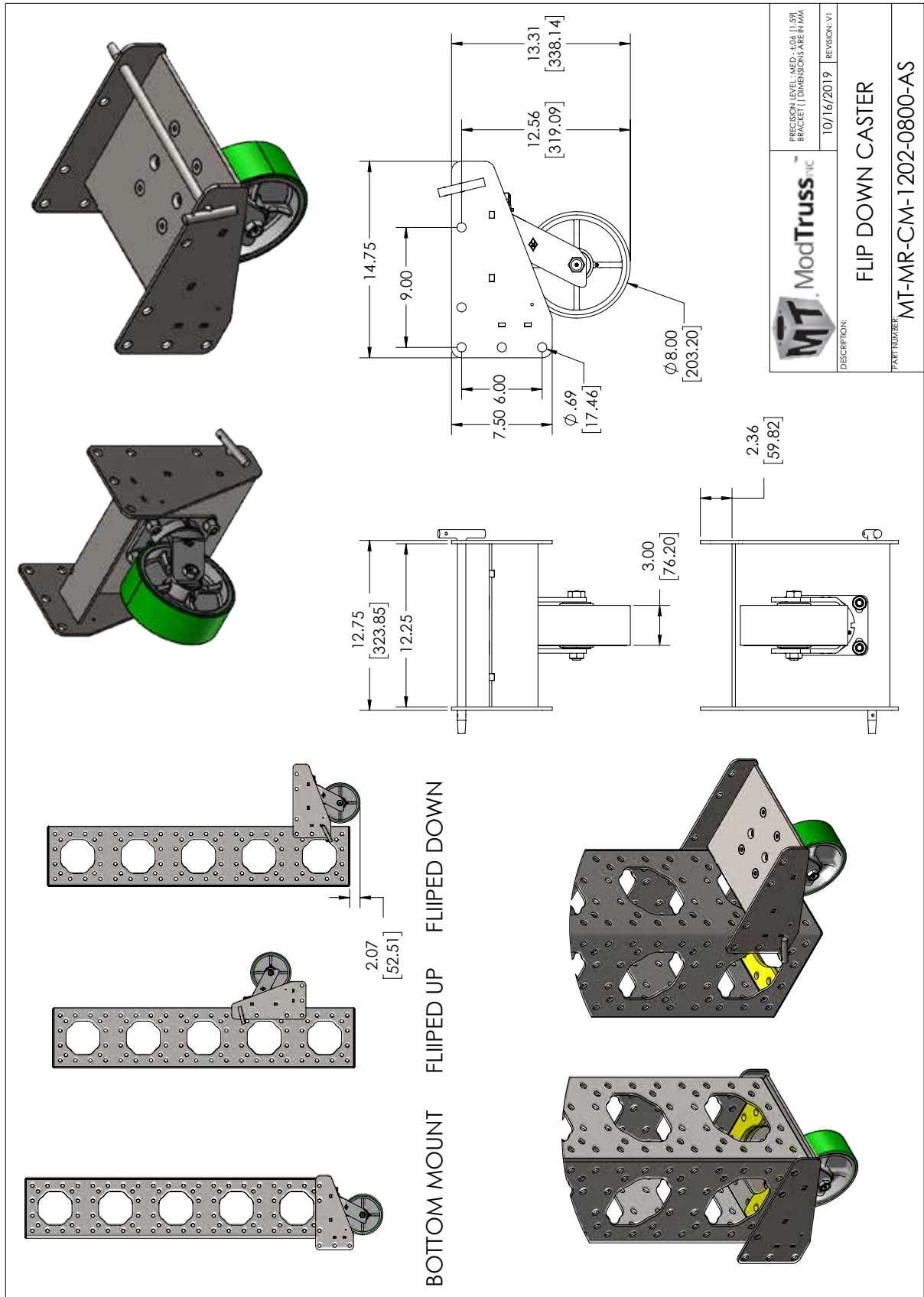
MH

FH

GL

Series | MR Motion & Rigging

Product Number | MT-MR-CM-1202-0800-AS



U.S. Patent No. 8,418,425 & other patents pending