

# Heavy Duty Caster with Internal Jack

Part Number | MT-MR-CM-HD-1200-1200-3000-AS



**Wheel Load Capacity 16,000lbs**

**Jack Load Capacity 12,000lbs**

|                             |   |                |
|-----------------------------|---|----------------|
| <b>Standard Material</b>    | A36 Low Carbon Steel  |                |
| <b>Standard Finish</b>      | 28 - Gloss Yellow   |                |
| <b>Available Finish(es)</b> | 10-12, 20-33  |                |
| <b>Size</b>                 | 19.50" x 19.50" x 30.0" (495.30mm x 495.30mm x 762.00mm)  |                |
| <b>Weight</b>               | 351lbs (159.21kg)*  | *Non-certified |
| <b>Hole Size</b>            | 11/16" (17.46mm)  |                |
| <b>Recommended Hardware</b> | 5/8"-11 Thread Grade 8 Bolt, 2" Long   5/8" SAE Zinc-Plated Washer   5/8"-11 Thread, Grade 8 Hex Nut (M16 x 2 Thread, 50mm Long, Class 10.9 Bolt   M16, Class 10.9 Washer   M16 x 2 Thread, Class 10.9 Nut) |                |
| <b>Recommended Tools</b>    | Tool Kit 1  |                |
| <b>For More Info</b>        | <a href="http://www.ModTruss.com">www.ModTruss.com</a>  |                |



U.S. Patent No. 8,418,425 & other patents pending

TR

EX

PL

JH

PA

HG

MR

AC

HW

TK

MH

FH

GL

TR

# Series | MR Motion & Rigging

Product Number | MT-MR-CM-HD-1200-1200-3000-AS

EX

PL

JH

PA

HG

MR

AC

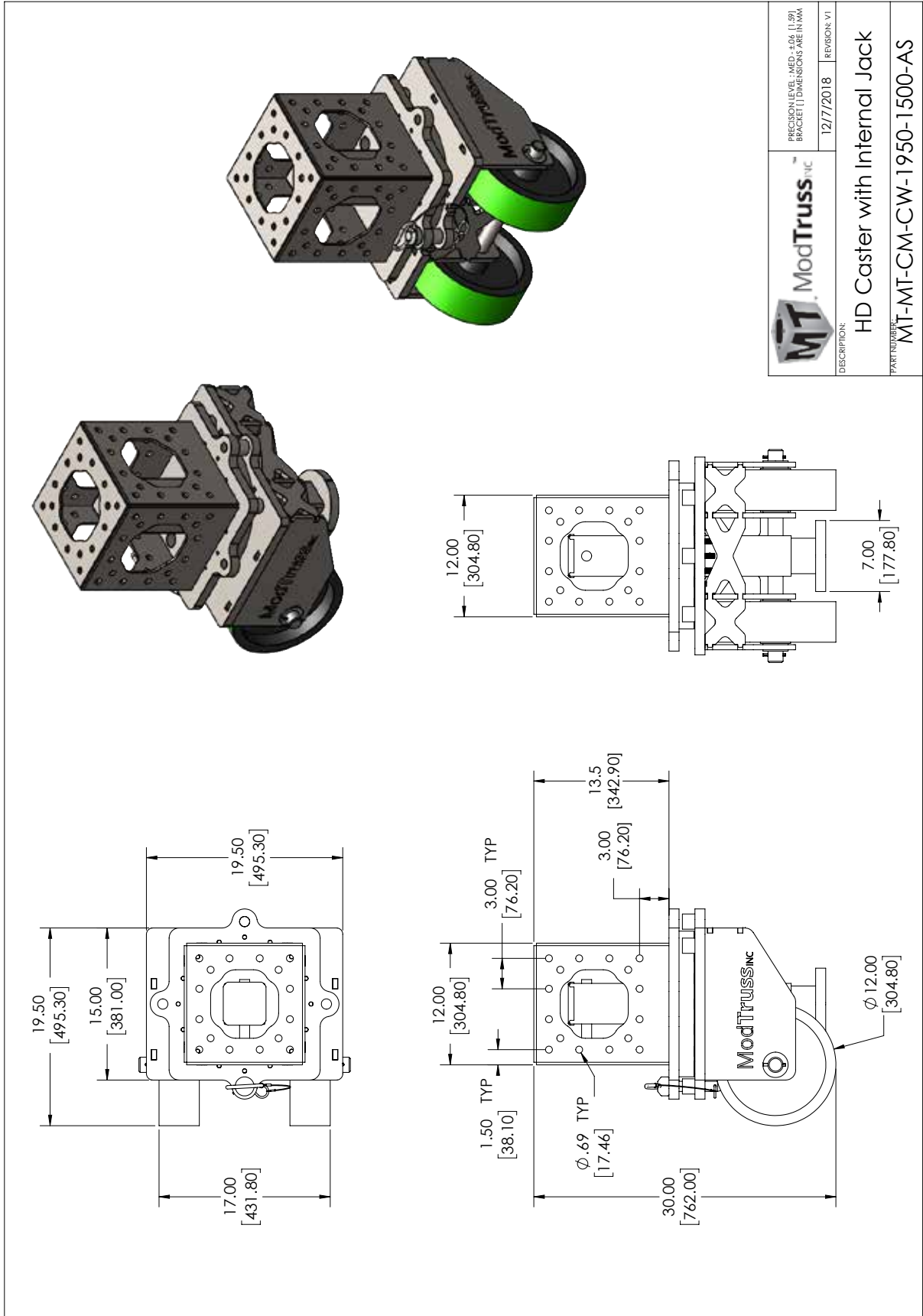
HW

TK

MH

FH

GL



|                                       |   |           |              |
|---------------------------------------|---|-----------|--------------|
|                                       | PRECISION LEVEL: ANGLES ±.04   I.D. .001<br>BRACKET   DIMENSIONS ARE IN IN/AA | 12/7/2018 | REVISION: V1 |
|                                       | DESCRIPTION: HD Caster with Internal Jack                                     |           |              |
| PART NUMBER: MT-MT-CM-CW-1950-1500-AS |   |           |              |

U.S. Patent No. 8,418,425 & other patents pending