

Stair Stringer 24" x 30°

Part Number | MT-AC-ST-ST-24-30



PRO TIP

Bolt 2 stringers together to make various length stairs.



Standard Material	A36 Low Carbon Steel
Standard Finish	10 - Zinc Clear
Available Finish(es)	10-12, 20-33
Size	6" x 23.2" x 39.82" (152.40mm x 589.28mm x 1011.43mm)
Weight	32.05lbs (14.54kg)
Hole Size	11/16" (17.46mm)
Recommended Hardware	5/8"-11 Thread Grade 8 Bolt, 2" Long 5/8" SAE Zinc-Plated Washer 5/8"-11 Thread, Grade 8 Hex Nut (M16 x 2 Thread, 50mm Long, Class 10.9 Bolt M16, Class 10.9 Washer M16 x 2 Thread, Class 10.9 Nut)
Recommended Tools	Tool Kit 1
For More Info	www.ModTruss.com



Electrical Hazard



Flammability



In Stock



Made To Order



Customizable



Reusable



Compatible



Serialized & Traceable

U.S. Patent No. 8,418,425 & other patents pending

TR

EX

PL

JH

PA

HG

MR

AC

HW

TK

MH

FH

GL

TR

Series | AC Access

Product Number | MT-AC-ST-ST-24-30

EX

PL

JH

PA

HG

MR

AC

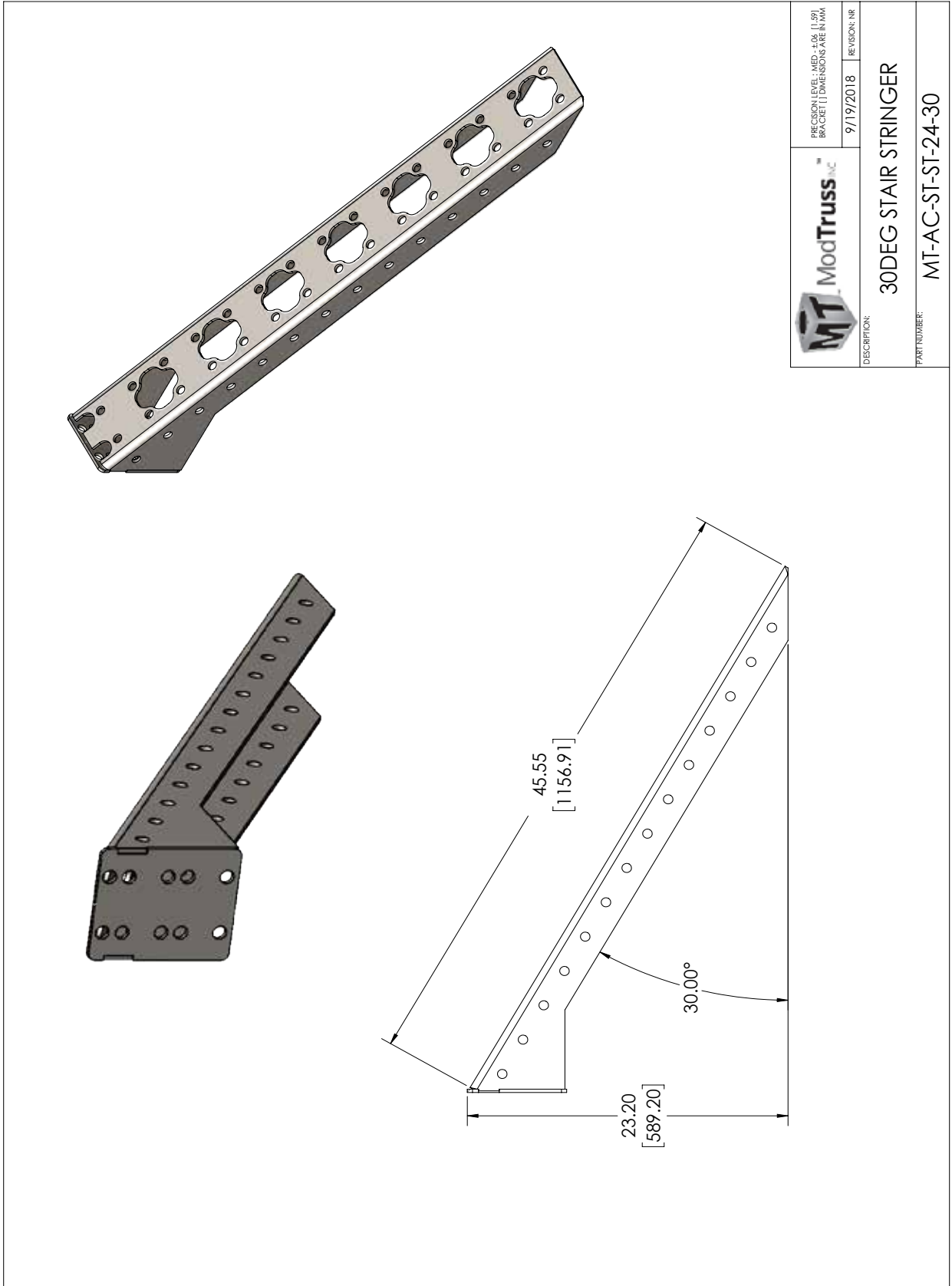
HW

TK

MH

FH

GL



	PRECISION LEVEL: MED: ±.06 (1.57) BRACKET DIMENSIONS ARE IN MM
	9/19/2018 REVISION: NR
DESCRIPTION: 30DEG STAIR STRINGER	
PART NUMBER: MT-AC-ST-ST-24-30	