

# Universal Ladder Rung

Part Number | MT-AC-LR-1800-0900-0450



<b>Standard Material</b>	A36 Low Carbon Steel
<b>Standard Finish</b>	10 - Zinc Clear
<b>Available Finish(es)</b>	10-12. 20-33
<b>Size</b>	18" x 9" x 4.5" (457.20mm x 228.60mm x 114.30mm)
<b>Weight</b>	17.10lbs (273.60kg)
<b>Hole Size</b>	1 1/16" (17.46mm)
<b>Recommended Hardware</b>	5/8"-11 Thread Grade 8 Bolt, 2" Long   5/8" SAE Zinc-Plated Washer   5/8"-11 Thread, Grade 8 Hex Nut (M16 x 2 Thread, 50mm Long, Class 10.9 Bolt   M16, Class 10.9 Washer   M16 x 2 Thread, Class 10.9 Nut)
<b>Recommended Tools</b>	Tool Kit 1
<b>For More Info</b>	<a href="http://www.ModTruss.com">www.ModTruss.com</a>



Electrical Hazard



Flammability



In Stock



Made To Order



Customizable



Reusable



Compatible



Serialized & Traceable

TR

EX

PL

JH

PA

HG

MR

AC

HW

TK

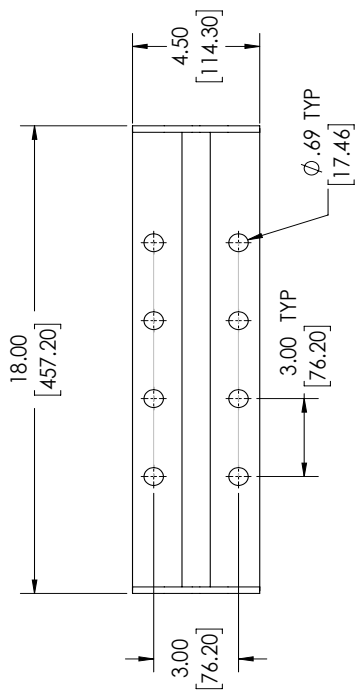
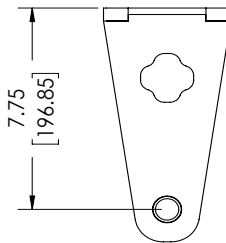
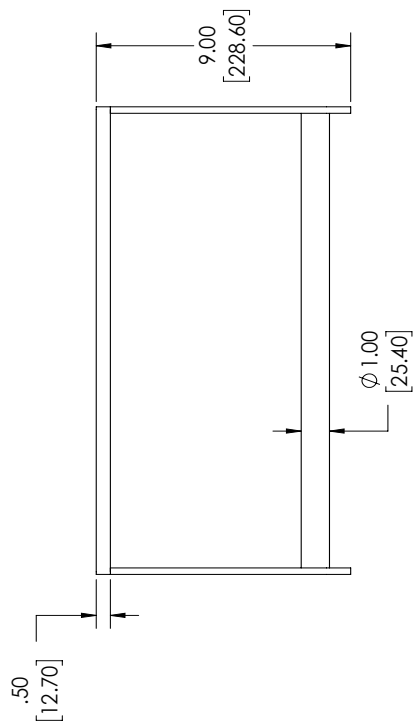
MH

FH

GL

Series | AC Access

Product Number | MT-AC-LR-1800-0900-0450



	PRECISION LEVEL: MED - 5.0% (1.5%) BRACKET DIMENSIONS ARE IN MM	REVISION: VI
	9/5/2018	
DESCRIPTION: UNIVERSAL LADDER RUNG		
PART NUMBER: MT-AC-LR-1800-0900-0450		