

Universal Mount Assembly

Part Number | MT-MR-UM-A-12-06-14-01-AS

PRO TIP

The **Universal Mount** works both inside and outside of the truss.



Components Included

Qty. 2 - MT-MR-UM-A-12-06-14-01

Qty. 2 - MT-MR-UM-B-07-01

Qty. 2 - MT-HW-P-AS-0300-0100-0106

Qty. 4 - MT-HW-P-CP-0448-0012-0110



Universal Mount Biscuit

MT-MR-UM-B-07-01
Weight | 3.75lbs (1.70kg)



Universal Mount Half 12" x 6"

MT-MR-UM-A-12-06-14-01
Weight | 11.60lbs (5.26kg)

Vertical Load Capacity = 2,000lbs

Standard Material	A36 Low Carbon Steel
Standard Finish	10 - Zinc Clear Pin 11 - Zinc Gold/Yellow
Available Finish(es)	N/A
Size	N/A - Components are multi-configurable
Weight	32.30lbs (14.65kg)
Hole Size	11/16" (17.46mm) 1.03" - Fits 1.0" Pin (26.162mm Fits 25.4mm Pin)
Recommended Hardware	5/8"-11 Thread Grade 8 Bolt, 2.5" Long 5/8" SAE Zinc-Plated Washer 5/8"-11 Thread, Grade 8 Hex Nut (M16 x 2 Thread, 65mm Long, Class 10.9 Bolt M16, Class 10.9 Washer M16 x 2 Thread, Class 10.9 Nut)
Recommended Tools	Tool Kit 1
For More Info	www.ModTruss.com



Electrical Hazard



Flammability



In Stock



Made To Order



Customizable



Reusable



Compatible

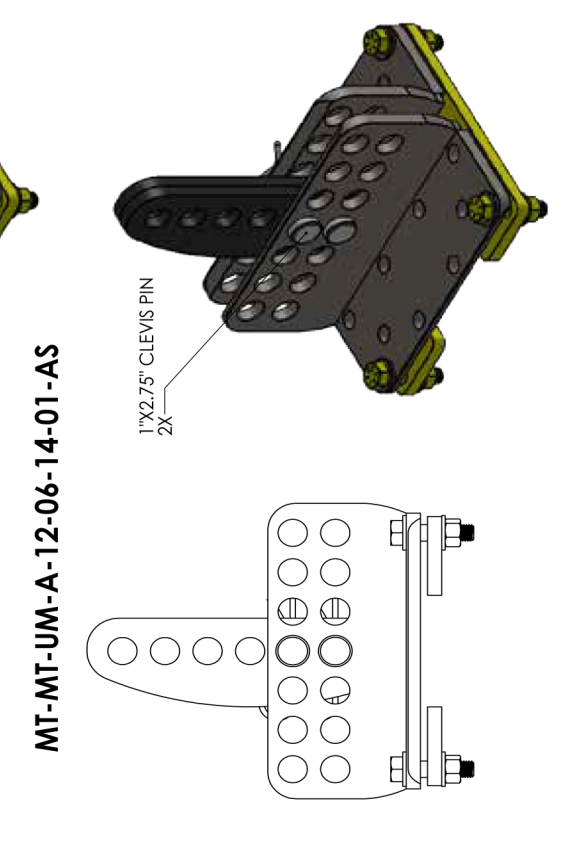
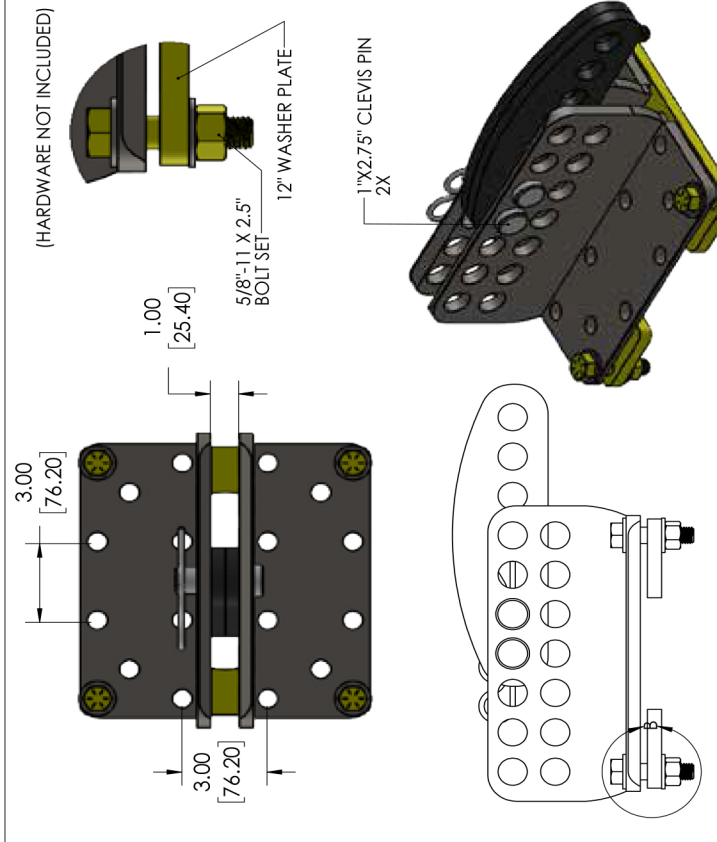
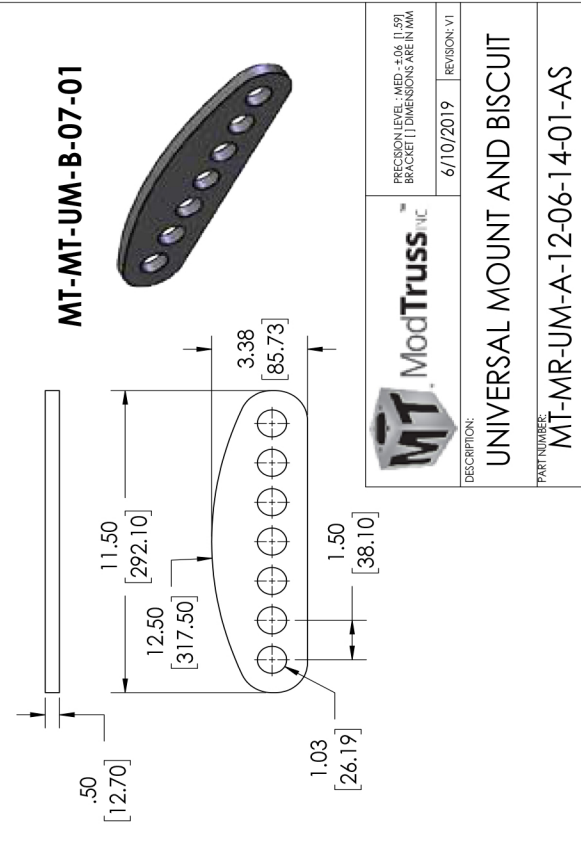
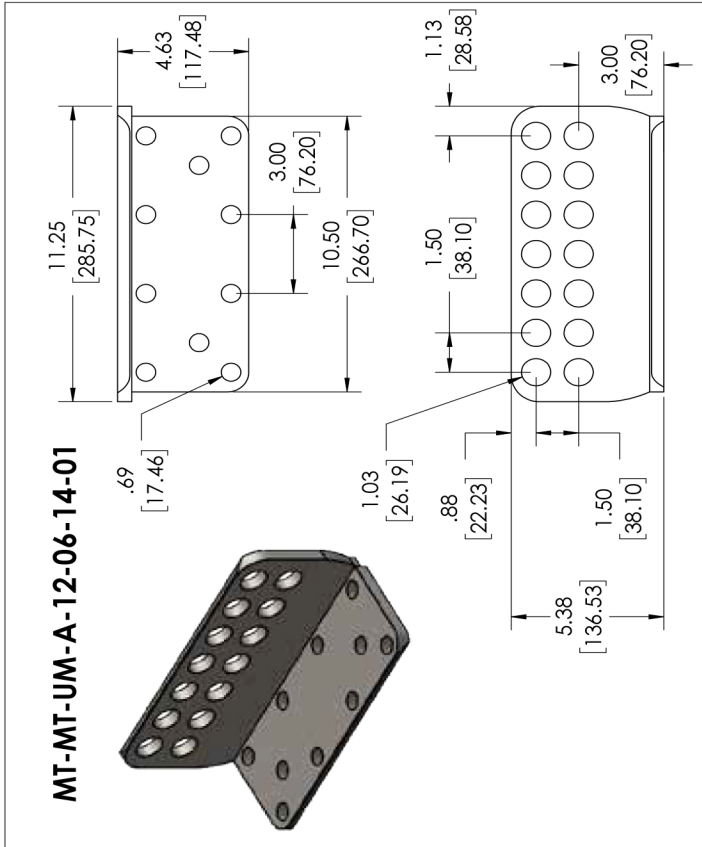


Serialized & Traceable

U.S. Patent No. 8,418,425 & other patents pending

Series | MR Motion & Rigging

Product Number | MT-MR-UM-A-12-06-14-01-AS



	PRECISION LEVEL: MED = ±.06 [1.57] BRACKET [] DIMENSIONS ARE IN MM
	6/10/2019 REVISION: V1
DESCRIPTION: UNIVERSAL MOUNT AND BISCUIT	
PART NUMBER: MT-MR-UM-A-12-06-14-01-AS	